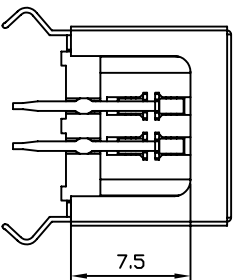
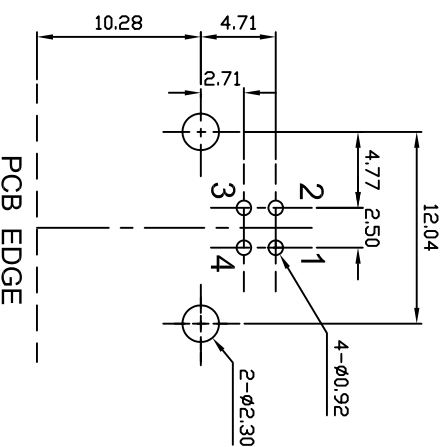
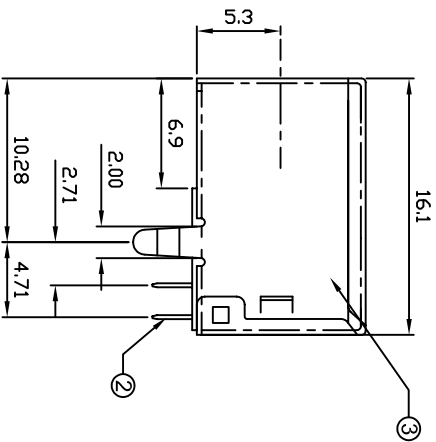
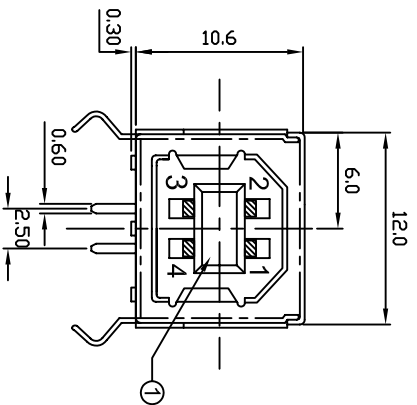


NO.	NAME	MATERIAL
1	HOUSING	PBT / Nylon
2	PIN TERM.	PHOS. BRONZE
3	SHELL	BRASS

Series **SUB-110HH\*\***  
 Type \_\_\_\_\_  
 Color \_\_\_\_\_  
 B : Black  
 W : White

Shell  
 N : Nickel Plated  
 T : Tin Plated  
 Version  
 1 : 1.1(1~3u")  
 2 : 2.0(30U"±5%)  
 Material  
 B : PBT  
 P : Nylon

REV. ZONE	REVISION	DATE	APPD.



SUGGESTED PCB LAYOUT  
 TOP VIEW

APPROVED BY  
**KINSWOOD ELECTRONICS CORP.**

COMPUTER NO. UNIT SCALE PART NAME

mm 1 : 1 USB. TYPE B  
 FLAT 90° DIP

MODEL SUB-110HH\*\* \*\* \*\* PAGE 1 OF 1

APPD. CKD. DWG. DATE TOLERANCE

Aaron 周偉 2007-01-24

0.000mm ± 0.075mm  
 0.00 mm ± 0.15 mm  
 0.0 mm ± 0.25 mm



REV. A.0