

NO.	NAME	MATERIAL
1	HOUSING	PBT / Nylon
2	PIN TERM.	PHOS. BRONZE
3	SHELL	BRASS / SPCC
4	SHELL	BRASS
5	HOUSING COVER	PBT (A)

# SUA-210P \*-\*\*-\*\*

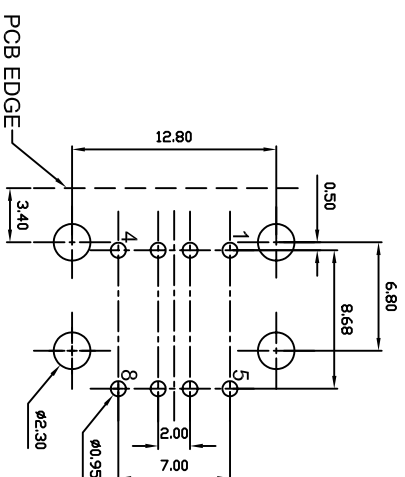
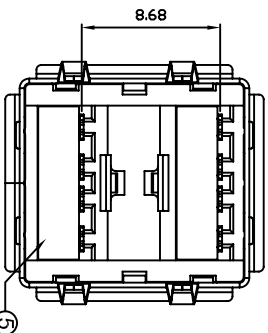
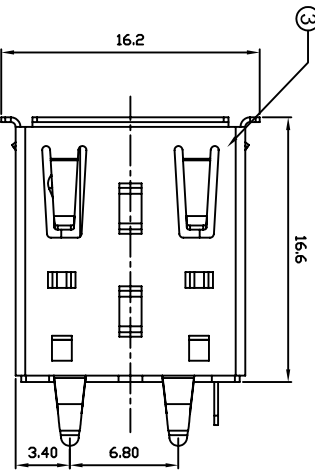
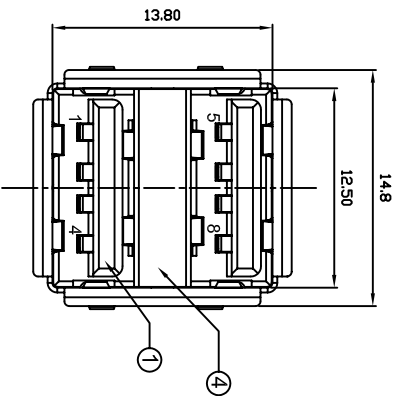
Series \_\_\_\_\_  
 Type \_\_\_\_\_  
 Color \_\_\_\_\_  
 B : Black  
 W : White

Shell  
 N : Nickel Plated  
 T : Tin Plated  
 F : SPCC

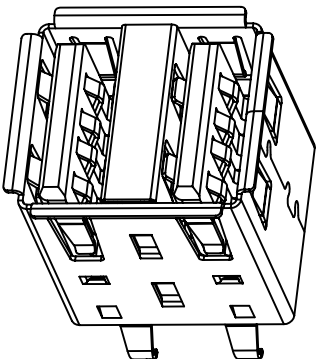
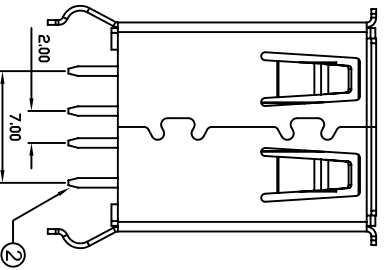
Version  
 1 : 1.1(1~3μ")  
 2 : 2.0(30U"±5%)

Material  
 B : PBT  
 P : Nylon

REV	ZONE	REVISION	DATE	APPD.
A.1	(A)	PE改為PBT	2007.02.12	Aaron



## SUGGESTED PCB LAYOUT TOP VIEW



APPROVED BY

KINSWOOD ELECTRONICS CORP.

MODEL

SUA-210P \*-\*\*-\*\*

PAGE 1 OF 1

COMPUTER NO.

UNIT

SCALE

PART NAME

mm

1 : 1

DOUBLE USB. TYPE A

APPD.

CKD.

DWG.

DATE

TOLERANCE

MODEL

SUA-210P \*-\*\*-\*\*

PAGE 1 OF 1

APPD.

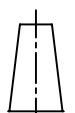
CKD.

DWG.

DATE

TOLERANCE

DOUBLE USB. TYPE A



REV.  
A.1