

NO.	NAME	MATERIAL
1	HOUSING	PBT / Nylon
2	PIN TERM.	PHOS. BRONZE
3	SHELL	BRASS / SPCC

SUA-210H2S *--***

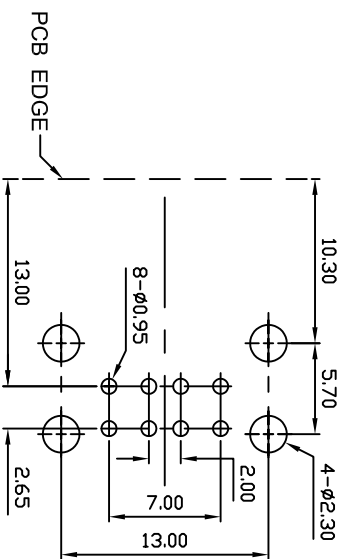
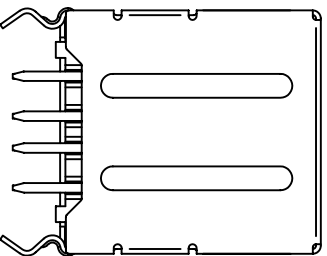
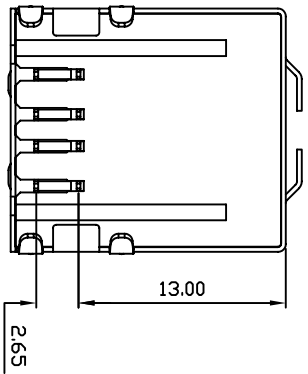
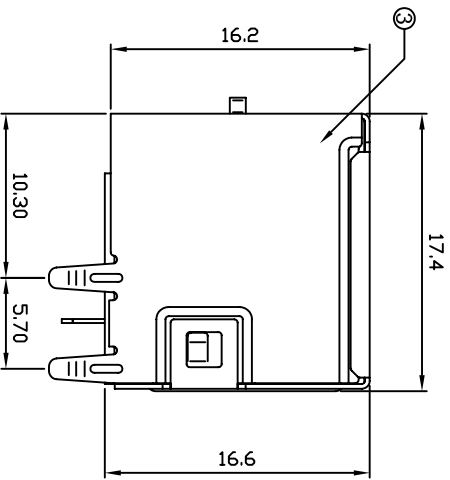
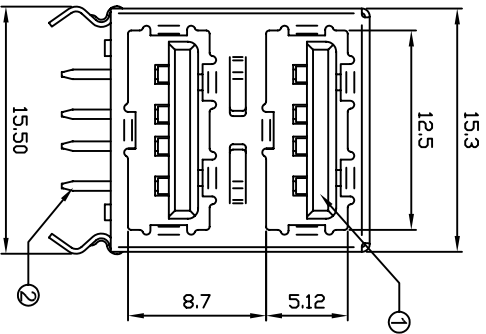
Series _____
 Type _____
 Color _____

Shell
 N : Nickel Plated
 T : Tin Plated
 F : SPCC

Version
 1 : 1.1(1~3u")
 2 : 2.0(30±.5%)

Material
 B : PBT
 P : Nylon

REV	ZONE	REVISION	DATE	APPD.



SUGGESTED PCB LAYOUT
TOP VIEW

APPROVED BY

KINSWOOD ELECTRONICS CORP.

MODEL

SUA-210H2S *-**-*

PAGE 1 OF 1

COMPUTER NO.

UNIT

SCALE

PART NAME

mm

1 : 1

DOUBLE USB, TYPE A

APPD.

CKD.

DWG.

DATE

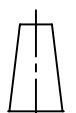
TOLERANCE

Nick

Aaron

2007-10-18

0.000mm ± 0.075mm
 0.00 mm ± 0.20 mm
 0.0 mm ± 0.30 mm



REV.
 A.0