

NO.	NAME	MATERIAL
1	HOUSING	PBT / Nylon
2	PIN TERM.	PHOS. BRONZE
3	SHELL	BRASS / SPCC
4	SHELL	BRASS

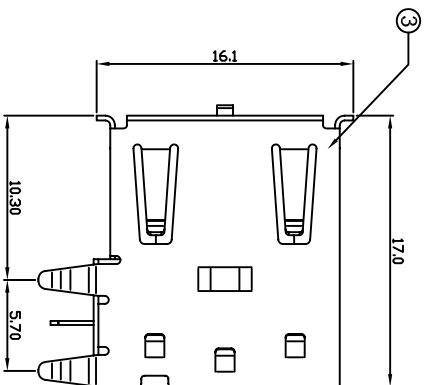
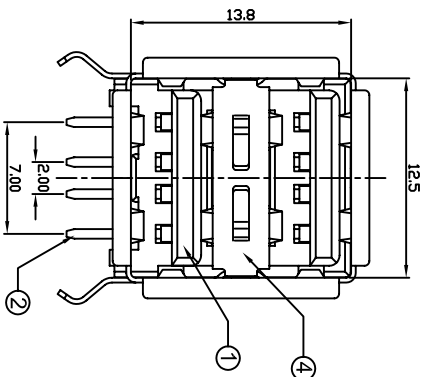
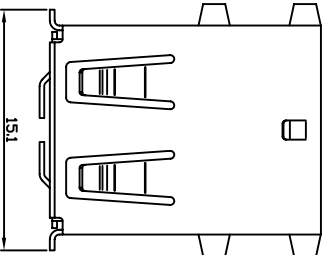
SUA-210H1S *- *- *

Series _____
 Type _____
 Color _____
 B : Black
 W : White

Shell
 N : Nickel Plated
 T : Tin Plated
 F : SPCC

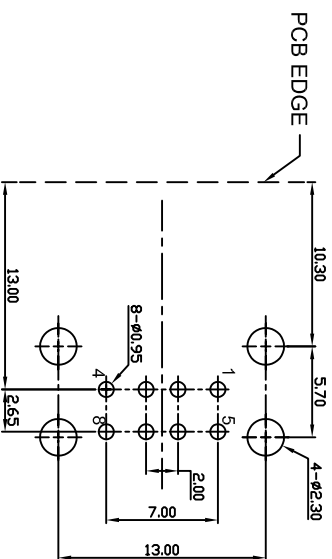
Version
 1 : 1.1(1~3u")
 2 : 2.0(30u"±.5%)

Material
 B : PBT
 P : Nylon



REV	ZONE	REVISION	DATE	APPD.

SUGGESTED PCB LAYOUT TOP VIEW



APPROVED BY
KINSWOOD ELECTRONICS CORP.

COMPUTER NO.	UNIT	SCALE	PART NAME
	mm	1 : 1	DOUBLE USB. TYPE A

MODEL SUA-210H1S *- *- * PAGE 1 OF 1

APPD.	CKD.	DWG.	DATE	TOLERANCE	REV.
Michael	Michael	Michael	2007-08-26	0.000mm ± 0.075mm 0.00 mm ± 0.15 mm 0.0 mm ± 0.25 mm	A.0



1 2 3 4 5 6 7 8

H G F E D C B A