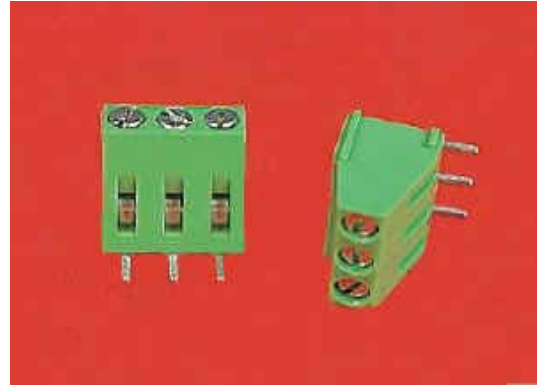
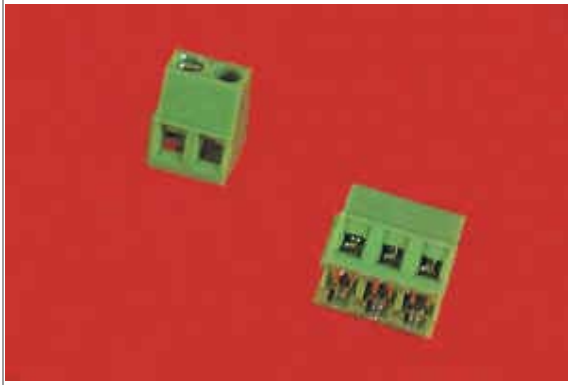


MINI TERMINAL BLOCKS

ITEM NO. GGC-20

PITCH 5mm (0.196in)

RATING: 10A 300VAC



SPECIFICATIONS

WIRE RANGE: 16 TO 22 AWG

BODY MATERIAL: THERMOPLASTIC (UL94V-0), GREEN

TERMINALS: BRASS TIN PLATED

SCREWS: ZINC STEEL PLATED

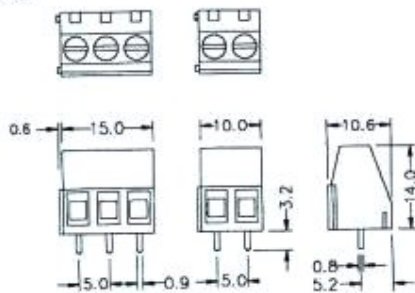
INSULATION WITHSTANDS: VOLTAGE AC 2000V/MIN

INSULATION RESISTANCE: 500M Ω OR MORE AT DC 500V

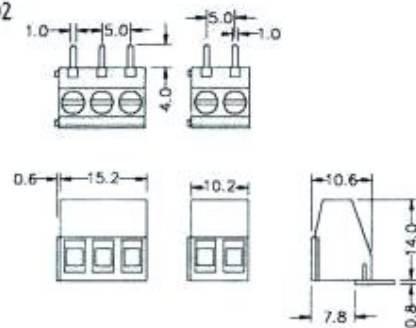
STANDARD COLOR: GREEN OR BLUE

APPROVALS: 

GGC-20-01



GGC-20-02



SUPPLY 2P & 3P CAN BE DOVETAILED TOGETHER TO MAKE ANY LENGTH & DIFFERENT COMBINATIONS.