

MINI TERMINAL BLOCKS

ITEM NO. GGB-10

PITCH 10mm(0.394in)

RATING: 15A 300VAC



SPECIFICATIONS

WIRE RANGE: 14 TO 22 AWG

BODY MATERIAL: THERMOPLASTIC (UL94V-0)BLACK

TERMINALS: BRASS TIN PLATED

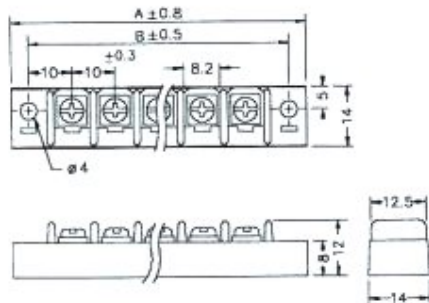
SCREWS: STEEL NICKEL PLATED

INSULATION WITHSTANDS: VOLTAGE AC 2000V/MIN

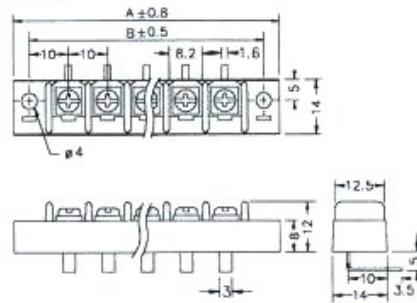
INSULATION RESISTANCE: 500MΩ OR MORE AT DC 500V

APPROVALS: 

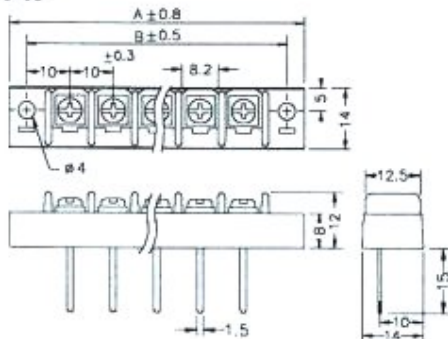
GGB-10-01



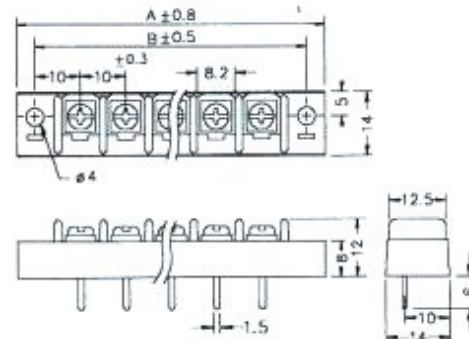
GGB-10-02

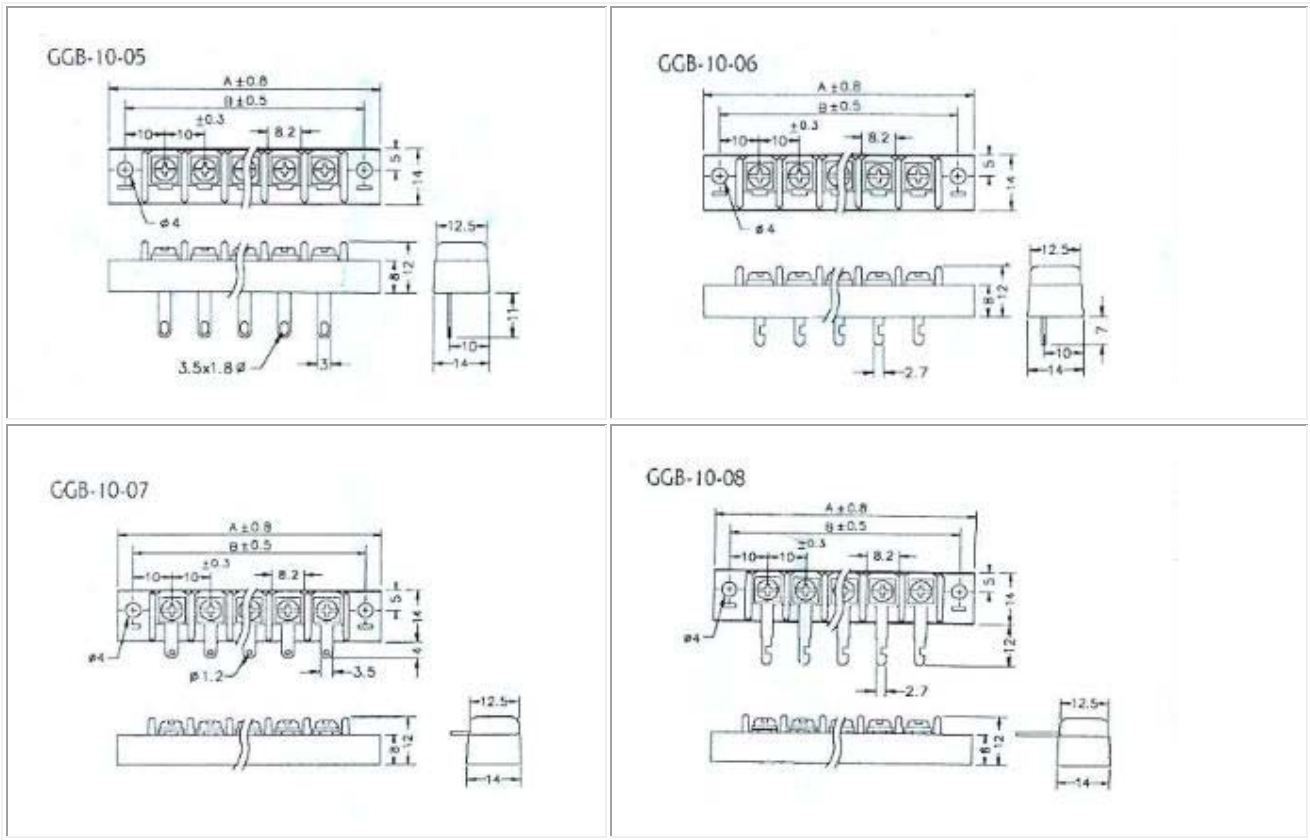


GGB-10-03



GGB-10-04





DIMENSION: mm to inch

| | | | | | | | | | | | | | | |
|-------|----------------|----------------|----------------|----------------|----------------|----------------|----------------|----------------|-----------------|-----------------|-----------------|-----------------|-----------------|----------------|
| POLE | 2 | 3 | 4 | 5 | 6 | 7 | 8 | 9 | 10 | 11 | 12 | 13 | 14 | 15 |
| A±0.8 | 38 (1.496) | 48 (1.890) | 58 (2.283) | 68 (2.677) | 78 (3.071) | 88 (3.464) | 98 (3.858) | 108 (4.251) | 118 (4.645) | 128 (5.039) | 138 (5.433) | 148 (5.826) | 158 (6.220) | 168 (6.614) |
| B±0.5 | 30 (1.181) | 40 (1.575) | 50 (1.969) | 60 (2.362) | 70 (2.756) | 80 (3.150) | 90 (3.543) | 100 (3.937) | 110 (4.331) | 120 (4.724) | 130 (5.118) | 140 (5.512) | 150 (5.906) | 160 (6.299) |
| POLE | 16 | 17 | 18 | 19 | 20 | 21 | 22 | 23 | 24 | 25 | 26 | 27 | 28 | |
| A±0.8 | 178 (7.008) | 188 (7.402) | 198 (7.795) | 208 (8.188) | 218 (8.582) | 228 (8.976) | 238 (9.370) | 248 (9.764) | 258 (10.157) | 268 (10.551) | 278 (10.945) | 288 (11.338) | 298 (11.732) | |
| B±0.5 | 170 (6.693) | 180 (7.087) | 190 (7.480) | 200 (7.874) | 210 (8.268) | 220 (8.661) | 230 (9.055) | 240 (9.449) | 250 (9.843) | 260 (10.236) | 270 (10.630) | 280 (11.024) | 290 (11.417) | |

NUMBER OF POLE 02~28

NOTE: WITH MOUNT HOLE STANDARD (TO REDUCE 2 POLES FOR W/O MOUNT HOLE)