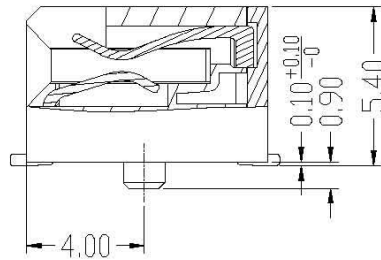
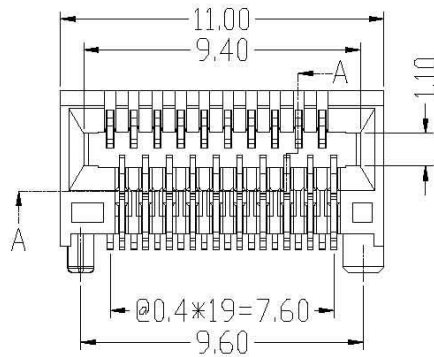
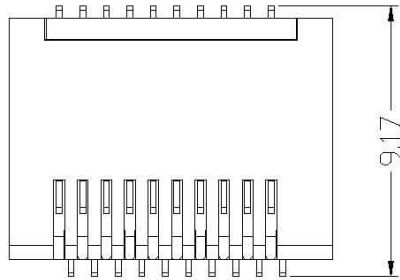
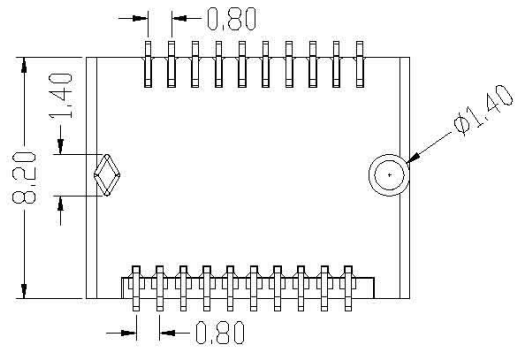
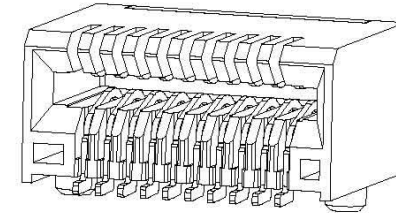


REV.	ECN NO.	DATE



SECTION A-A



NOTE:  
MECHANICAL:

1. TERMINAL: COPPER ALLOY
2. Housing: High Temperature Thermoplastic  
Glass Filled UL 94V-0. Color: Black

PLATED:

1. Contact Area : 15u"Min Gold Over 110u" Min Nickle And 100u"Min Tin Over 110u" Min Nickle.

MECHANICAL REQUIREMENT:

1. Durability: 200 cycles.
2. insertion and extraction Force: 40N Max & 11.5N Max

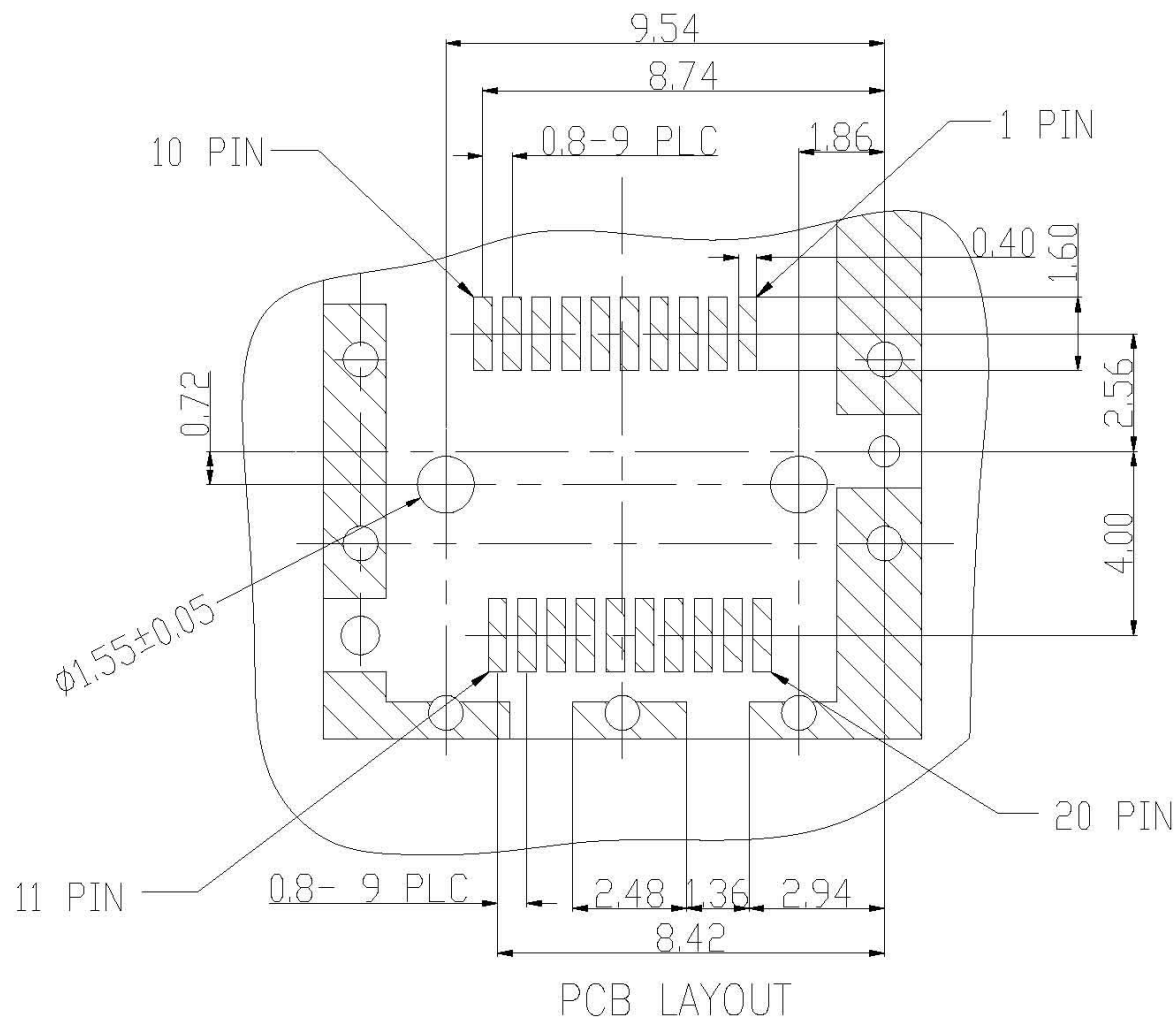
ENVIRONMENTAL:

1. Contact Resistance: 20 Milliohms max initial.
2. Dielectric withstanding Voltage: 300V AC/min.
3. Operation: -55°C~+85°C.
4. Storage: -55°C~+85°C
5. WAVE SOLDERING TEMPERRATURE: 255~265°C (5~10 SECONDS).
6. RoHS COMPLIANT


RoHS Compliant

					<p>TOLERANCES</p> <p>.0 ± 0.25</p> <p>.00 ± 0.20</p> <p>.000 ± 0.15</p>		Material: SEE NOTE	Designed:	NAME: CONNECTOR, SFP 1XN SMT Type	
					<p>ANGLES ± 0.5</p>	Finish: SEE NOTE	Checked:	DWG NO:	REV.	
<p>THIRD ANGLE PROJECTION</p>	<p>A4</p> <p>SIZE</p>	<p>SCALE</p> <p>1:1</p>	<p>UNIT</p> <p>mm</p>	<p>CUSTOMER:</p> <p>N/A</p>	<p>MODEL NO:</p> <p>N/A</p>	<p>SHEET 1 OF 2</p>	<p>Approved:</p>	<p>PART NO:</p>	<p>00</p>	

REV.	ECN NO.	DATE



RoHS Compliant

					<b>TOLERANCES</b> .0 ± 0.25 .00 ± 0.20 .000 ± 0.15		Material: SEE NOTE	Designed:	NAME: CONNECTOR, SFP 1XN SMT Type		
					A4 SIZE		SCALE 1:1	UNIT mm	CUSTOMER: N/A	Model NO: N/A	ANGLES ± 0.5
							SHEET 2 OF 2	Approved:	PART NO:		00