

SPECIFICATION FOR APPROVAL

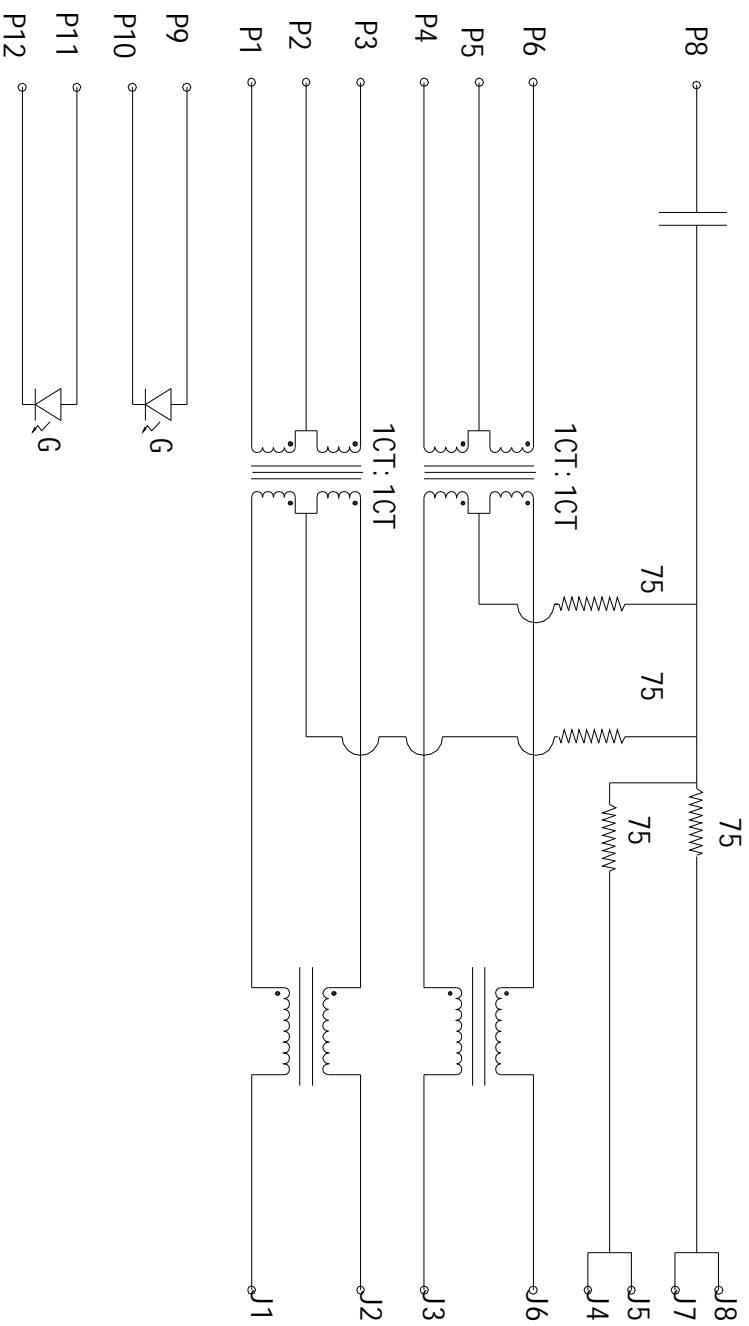
PRODUCT NAME: 52 1*1 Port vertical with transformer and
LED, W/O EMI, 10/100BT, After 3.89

PRODUCT NO : KW-20003-1

CUSTOMER NO :

REV : DATE :

CAP 1000pF 2KV



ELECTRICAL SPECIFICATIONS:

- 1.0 TURN RATIO: (P1~P3) : (J1~J2)
(P4~P6) : (J3~J6)
: 1:1 ±3%
: 1:1 ±3%
- 2.0 INDUCTANCE: (P1~P3)
(P4~P6)
350uH MIN @ 0.1V, 100KHZ, 8mA DC BIAS
350uH MIN @ 0.1V, 100KHZ, 8mA DC BIAS
- 3.0 LEAKAGE INDUCTANCE: P1~P3 (WITH J1 AND J2 SHORT)
P4~P6 (WITH J3 AND J6 SHORT)
: 0.3uH MAX @1 MHZ
: 0.3uH MAX @1 MHZ

SIZE	DRAWING NO.	REV
A	KW-20003-1	01
SCALE		SHEET
N/A		2 OF 7

4. 0 INTERWINDIND: CAPACITANCE: (P1~P3) : (J1~J2) : 35pF MAX @ 1MHZ
(P4~P6) : (J3~J6) : 35pF MAX @ 1MHZ
5. 0 DC RESISTANCE: (J1~J2) : (J3~J6) : 1.2 OHMS MAX
6. 0 RETURN LOSS: 1MHZ TO 30MHZ : -18dB MIN
30MHZ TO 80MHZ : -12dB MIN
7. 0 DIELECTRIC WITHSTAND: (P1~P3) : (J1~J2) : 1500VAC
(P4~P6) : (J3~J6) : 1500VAC
8. 0 INSERTION LOSS: RS=RL=1000HM : -1.1dB MIN
100KHZ TO 80MHZ
9. 0 RISE TIME: RS=100 OHMS AND RL=1000OHMS : 3.0ns MAX
OUTPUT VOLTAGE=1V PEAK : 3.0ns MAX
PULSE WIDTH= 112ns
10. 0 GROSS TALK: 1MHZ TO 100MHZ : 40dB TYP
11. 0 COMMON TO COMMON MODE ATTENUATION: 30MHZ TO 100MHZ : 35dB TYP

SIZE	DRAWING NO.	REV
A	KW-20003-1	01
SCALE		SHEET
N/A		3 OF 7

MECHANIC SPECIFICATIONS:

NOTES:

1. CONNECTOR MATERIAL:

HOUSING: THERMOPLASTIC UL94 V-0

CONTACT/SHIELD: COOPER ALLOY

SHIELD PLATING: NICKEL OR TIN

CONTACT PLATING: SELECTIVE GOLD,

50 MICRO-INCHS MIN

30 MICRO-INCHS MIN

15 MICRO-INCHS MIN

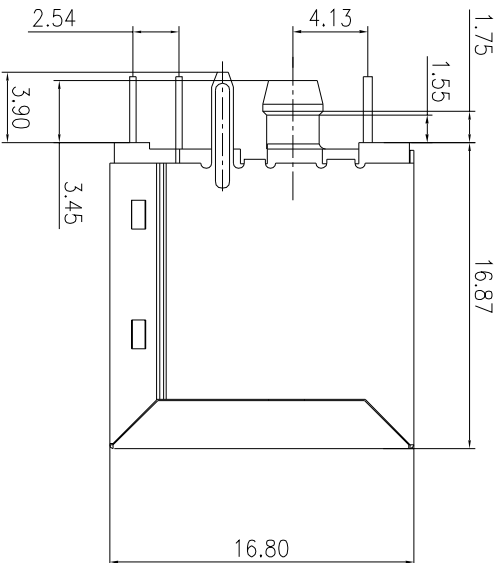
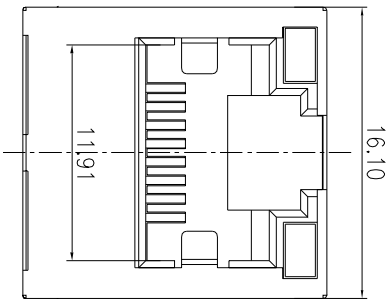
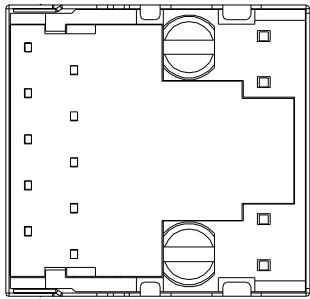
6 MICRO-INCHS MIN

3 MICRO-INCHS MIN

IN CONTACT AREA

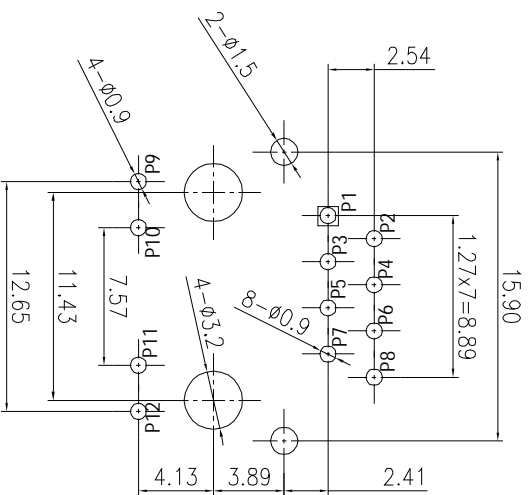


2. PIN NOT ELECTRICALLY CONNECTED MAYBE OMITTED SEE ELECTRICAL DRAWING FOR OMITTED PINS
3. TOLERANCES COMPLY WITH F. C. C DIMENSION REQUIREMENTS
4. WAVE SOLDER COMPATIBLE-PREHEAT 125 C DEGREE/90SECS
5. ALL TOLERANCES NOT OTHERWISE SPECIFIED TO BE ± 0.1 mm.



SIZE	DRAWING NO.	REV
A	KW-20003-1	01
SCALE		SHEET
N/A		4 OF 7

MECHANIC SPECIFICATIONS:



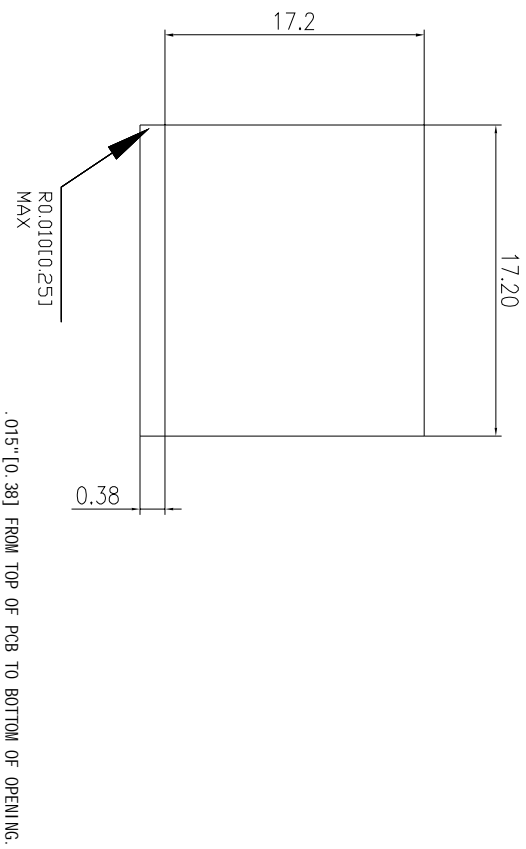
P. C. B RECOMMENDED HOLE LAYOUT SEEN FROM COMPONENT SIDE.

ALL CENTERLINE DIMENSIONS ARE BASIC

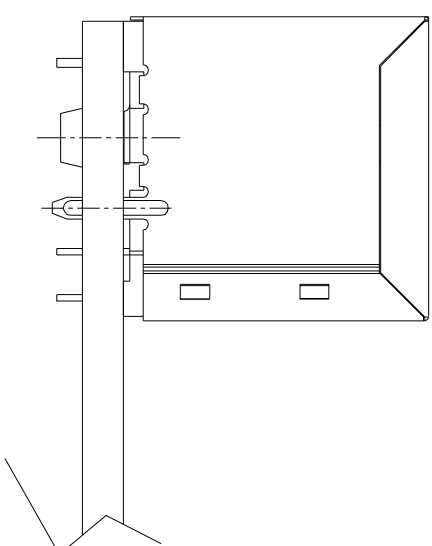
LED SPECIFICATION		
STANDARD LED	WAVELENGTH	Forward V(max)
GREEN	565nm	2.4V
YELLOW	590nm	2.5V
		TYP
		2.2V
		2.1V

*WITH A FORWARD CURRENT OF 20mA

SIZE	DRAWING NO.	REV
A	KW-20003-1	01
SCALE		SHEET
N/A		5 OF 7



1 SUGGESTED PANEL OPENING (N. T. S)



1. THE SUGGESTED PANEL OPENING IS INTENDED TO GIVE THE USER THE ABILITY TO HAVE REASONABLE JACK/PANEL CLEARANCES CAPABILITY.
2. ALL TOLERANCES NOT OTHERWISE SPECIFIED TO BE ± 0.005 INCH (0.13)

SIZE	DRAWING NO.	REV
A	KW-20003-1	01
SCALE		SHEET
N/A		6 OF 7