

100/1000 BASE-TX voip magnetics MODULES

- › IEEE 802.3af/ANSI X3.263 Compliant Performance Applications.
- › Suitable For End-span and Mid-span PoE Applications.
- › 350mA Current Capability.
- › Dual Port Transformer Modules Designed For IP Phone or Switch Applications.
- › Power over Ethernet(PoE) Magnetics.
- › For RoHS Part Add Suffix G.



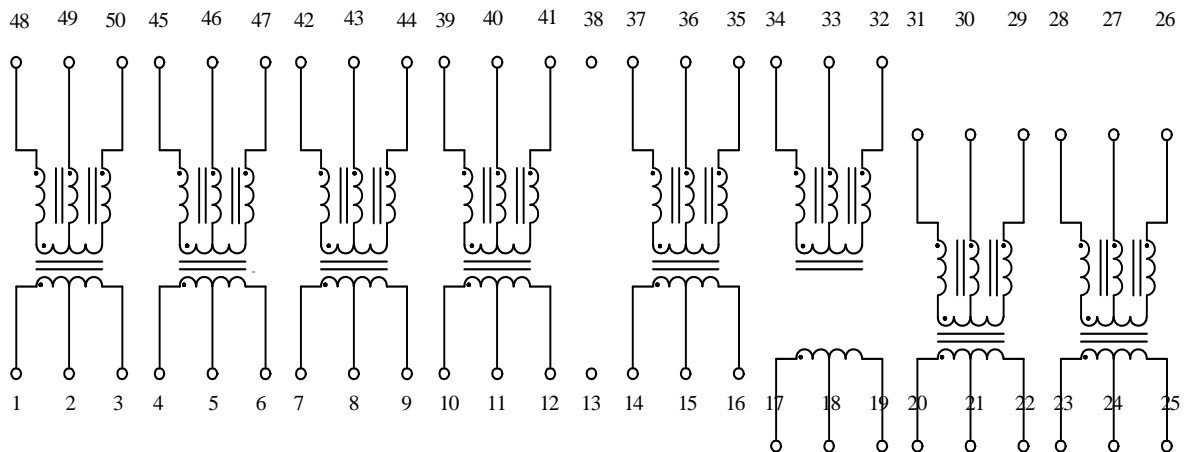
ELECTRICAL SPECIFICATIONS @ 25°C(Operating Temperature: 0°C to 70°C)

Part	Insertion (dB max)		Return Loss (dB max)			CMRR (dB typ)	Crosstalk (dB min)		
	1-100MHz	1-40MHz	60MHz	80MHz	100MHz	1-100MHz	30MHz	60MHz	100MHz
KSW-G50201SN	-1.1	-18	-14	-12	-10	-40	-40	-35	-30
KSW-G50202SN	-1.1	-18	-14	-12	-10	-40	-40	-35	-30
KSW-G50203SN	-1.1	-18	-14	-12	-10	-40	-40	-35	-30
KSW-G50204SN	-1.1	-18	-14	-12	-10	-40	-40	-35	-28
KSW-G50205SN	-1.1	-18	-14	-12	-10	-40	-40	-35	-28

Note: KSW-G50204SN Compliant 720mA Current Capability
 KSW-G50205SN Compliant 530mA Current Capability

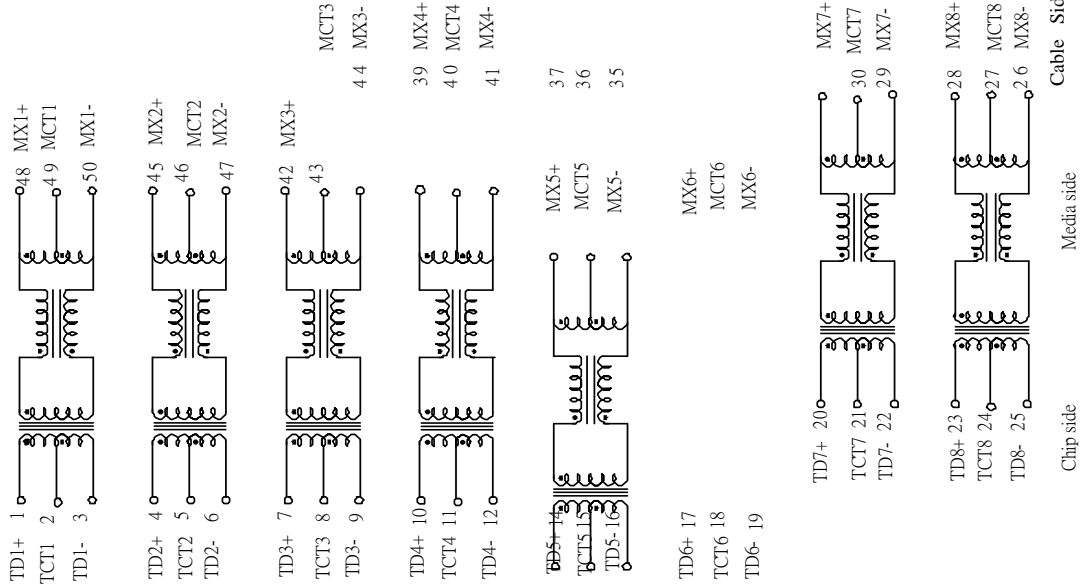
SCHEMATICS

KSW-G50201SN

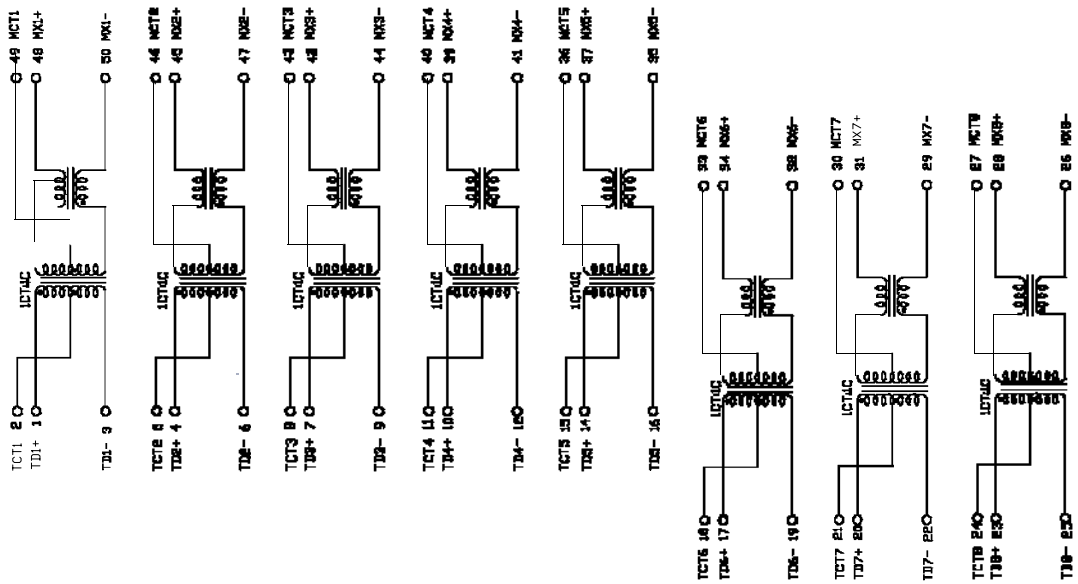


100/1000 BASE-TX voip magnetics MODULES

KSW-G50202SN

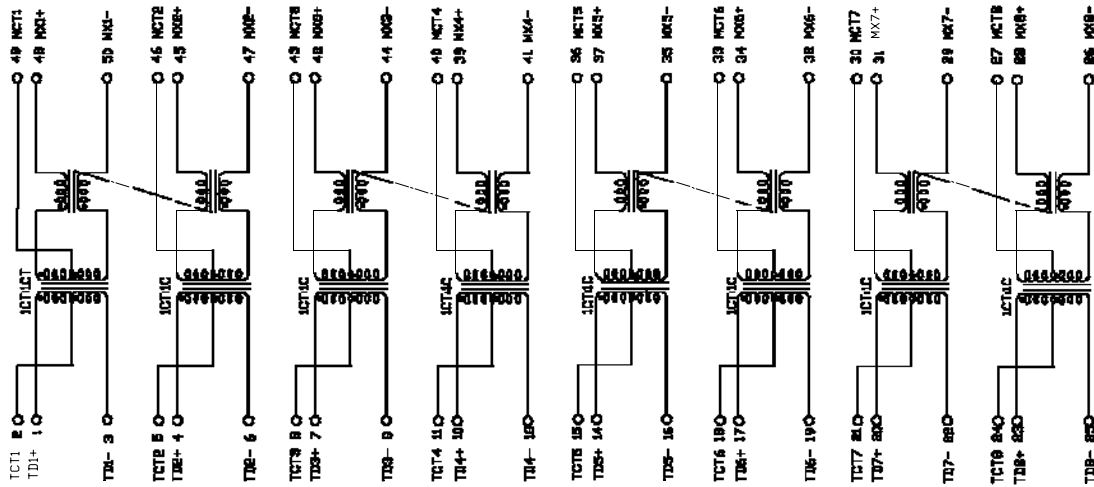


KSW-G50203SN



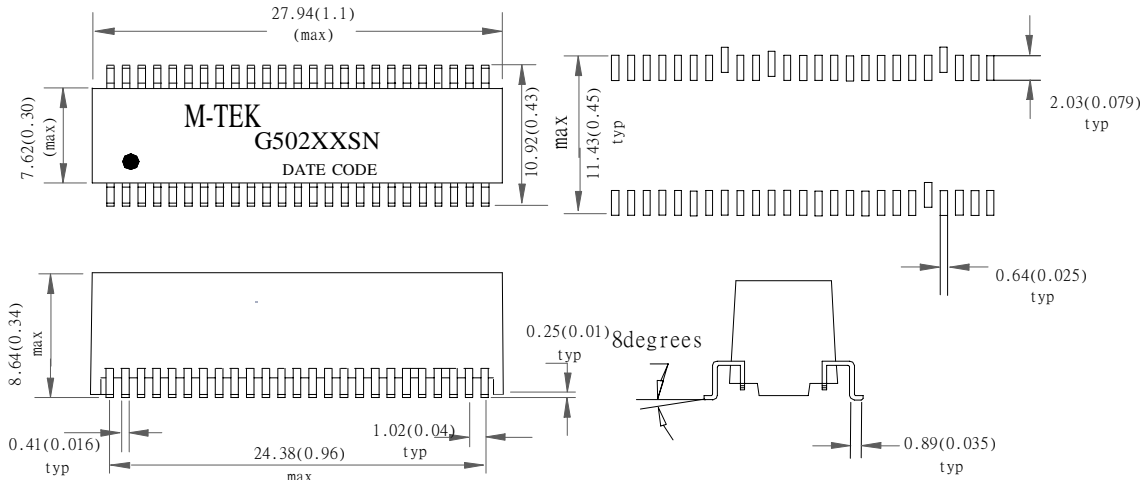
100/1000 BASE-TX voip magnetics MODULES

KSW-G50204SN, KSW-G50205SN



MECHANICAL SPECIFICATIONS

KSW-G50201SN~KSW-G50205SN



DIMENSIONS : INCHES(mm) UNLESS OTHERWISE SPECIFIED ALL TOLERANCES ARE ± 0.010(0.25).