

# 100/1000 BASE-T TRANSFORMER MODULES

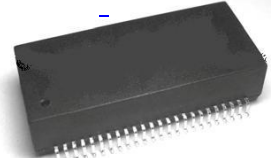
**D**esigned For Gigabit Ethernet Full Duplex.

**C**an BE used For Auto MDI/MDIX Applications.

**C**omplies With IEE802.3ab Standard.

**F**or RoHS Part Add Suffix G.

**RoHS**  
**Compliant**

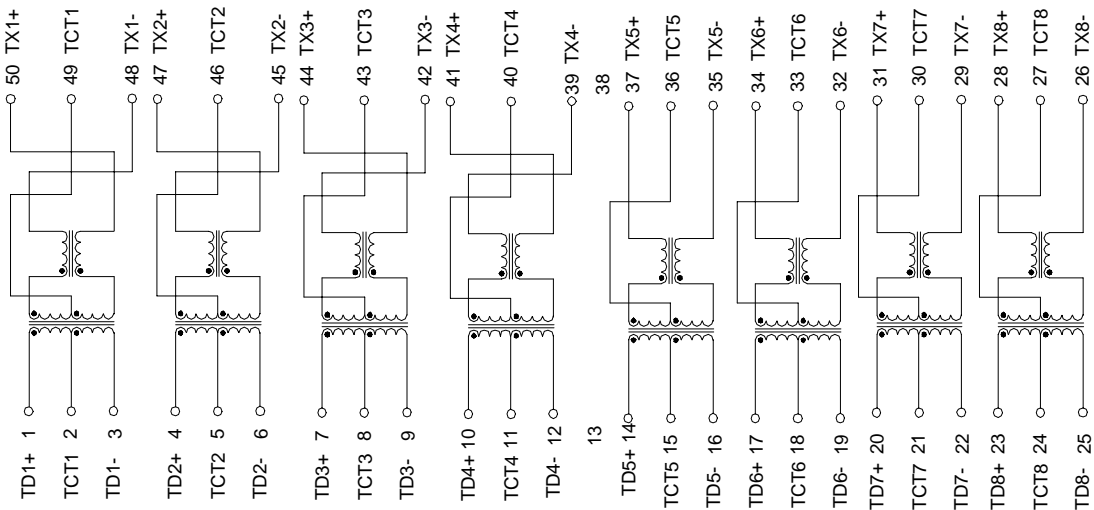


## ELECTRICAL SPECIFICATIONS @ 25°C (Operating Temperature: 0°C to 70°C)

Part	Insertion (dB max)		Return Loss (dB max)			CMRR (dB typ)	Crosstalk (dB min)		
	1-100MHz	1-30MHz	60MHz	80MHz	100MHz	1-100MHz	30MHz	60MHz	100MHz
KSW-G50201MN	-1.0	-18	-14	-12	-10	-30	-40	-35	-28

## SCHEMATICS

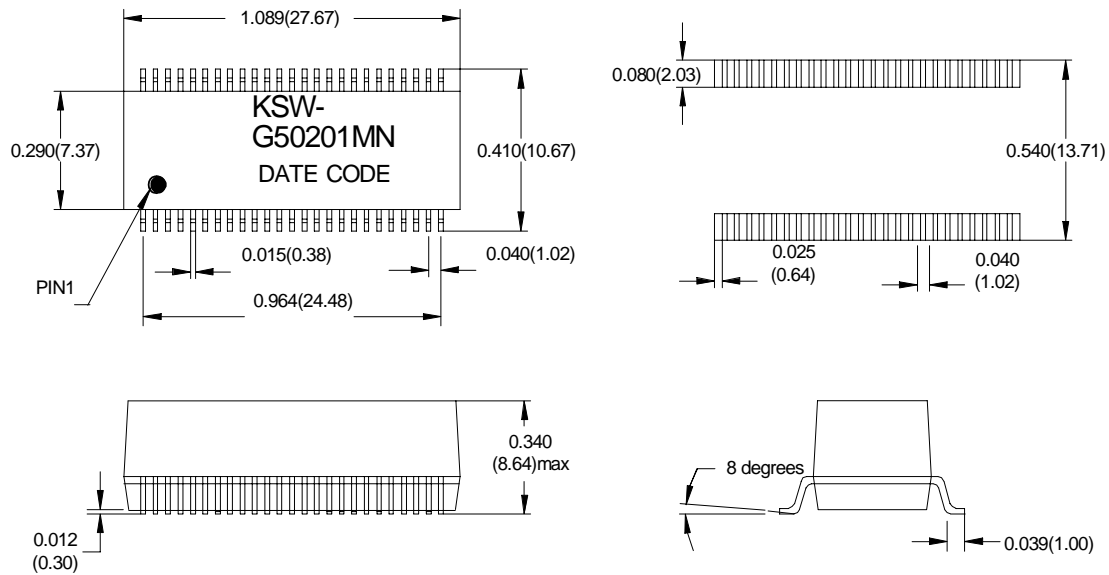
### KSW-G50201MN



# 100/1000 BASE-T TRANSFORMER MODULES

## MECHANICAL SPECIFICATIONS

### KSW-G50201MN



DIMENSIONS : INCHES/(mm) UNLESS OTHERWISE SPECIFIED ALL TOLERANCES ARE  $\pm 0.010(0.25)$ .