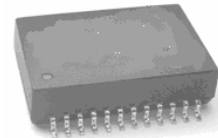


100/1000 BASE-T TRANSFORMER MODULES

- **D**esign For Long Hual Gigabit Ethernet 100/1000 BASE-Tx Full Duplex Applications.
- **L**ow Profile Surface Mount Packaging Designed Reflow Process (250°C peak).
- **C**ompliant With IEEE 802ab draft standards for 1000Base-T.
- **F**or RoHS Part Add Suffix G.



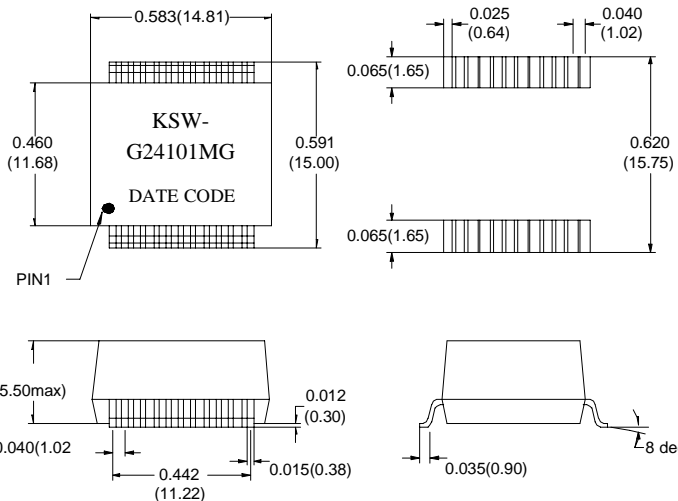
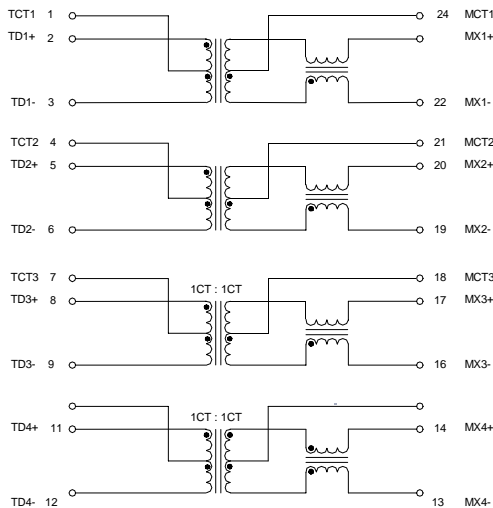
ELECTRICAL SPECIFICATIONS @ 25°C

Part Number	Insertion Loss (dB max)		Return Loss (dB min)		CMRR (dB min)		Crosstalk (dB min)	
	1-100MHz	1-30MHz	40-50MHz	60-80MHz	0.3-30MHz	60MHz	80-100MHz	0.1-100MHz
	KSW-G24101MG	1.0	-18	-15	-12	-40	-35	-30

Note : All models meet Isolation Voltage (HiPot) of 1500Vrms.

SCHEMATICS

MECHANICAL SPECIFICATIONS



DIMENSIONS : INCHES/(mm) UNLESS OTHERWISE SPECIFIED ALL TOLERANCES ARE ± 0.010(0.25).