

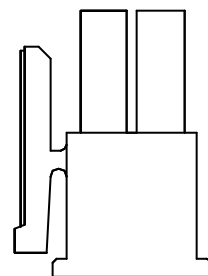
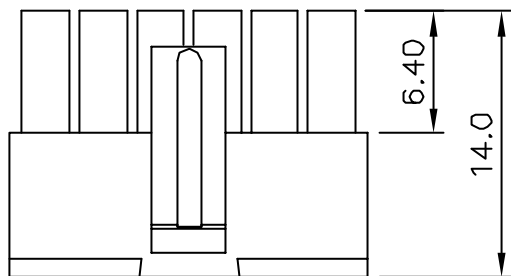
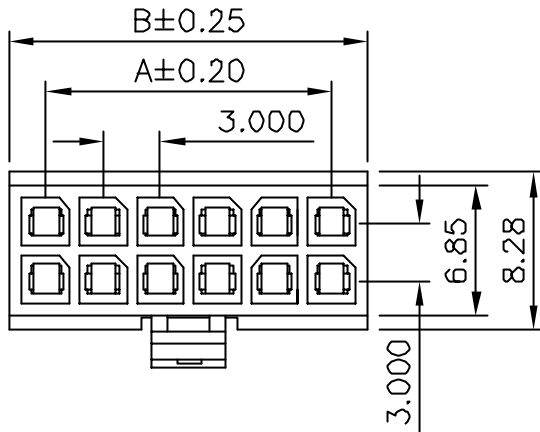
*Features:*

- \* Available in 02 through 24 Circuits
- \* Material: Nylon 66 UL94V-0
- \* Accepts YY-5750-T Crimp terminal
- \* Mates with YY-5950-WXXS or YY-5950-WXXR series wafer or YY-5850-HXX series housing

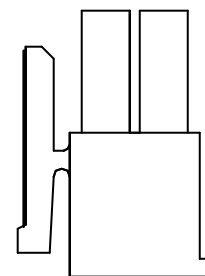
*Ordering information:*

YY-5750-H XX  
1 2

1 C=Combined  
2 No. of Circuits D2~24


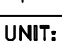


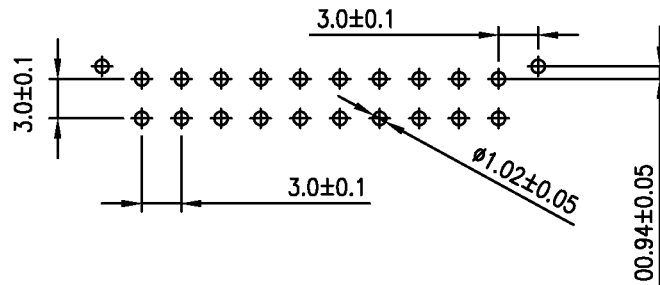
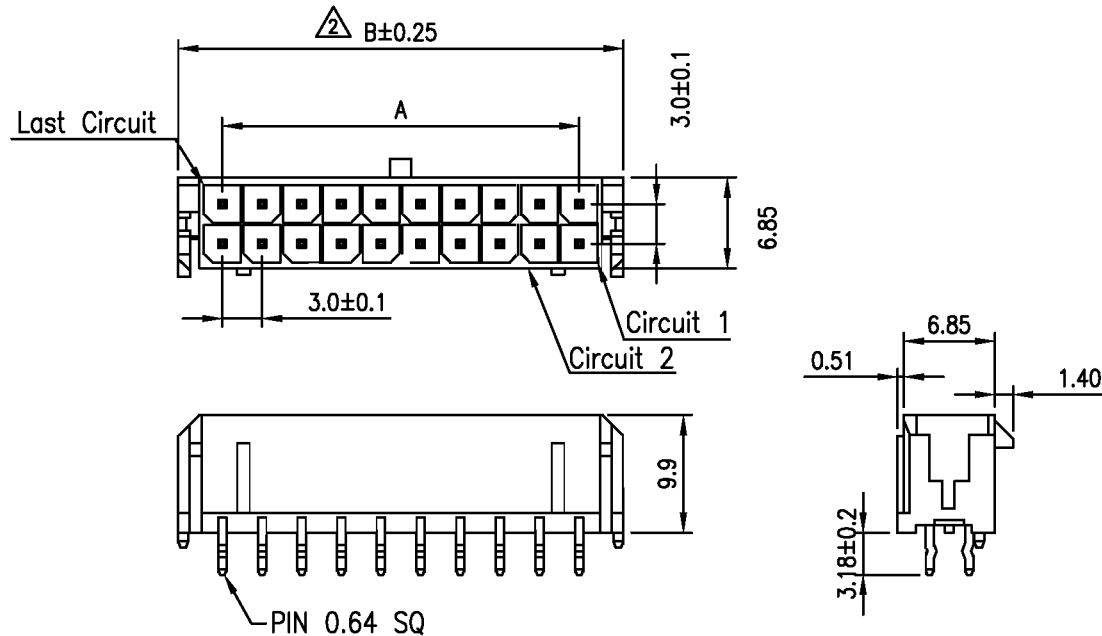
4~24PIN



2PIN

Circuits	Dimension mm	
	A	B
2		3.85
4	3.0	6.85
6	6.0	9.85
8	9.0	12.85
10	12.0	15.85
12	15.0	18.85
14	18.0	21.85
16	21.0	24.85
18	24.0	27.85
20	27.0	30.85
22	30.0	33.85
24	33.0	36.85

EDITION	DATE	MODIFY	DRAW BY	WangJM	VIEW:	TOLERANCE	3.0mm(.118") Pitch Housing	Approved by KINSWOOD ELECTRONICS CORP.
AO	2006.04.05	DRAWING	AUDITING	GUAN		.0 ±0.25	PART NO: YY-5750-HXX	
			APPROVAL	SUNNY		.00 ±0.15	DWG NO: C30D1H014	
					UNIT: mm	.000 ±0.05	REV. AO	



P.C.B LAYOUT

**Features:**

- \* Available in 02 through 24 Circuits
- \* Material: Nylon 46 UL94V-0
- \* Mates with YY-5750-H series housing
- \* 0.64mm(.025") Square Pin
- \* Pin Material: Brass/Tin-Plated

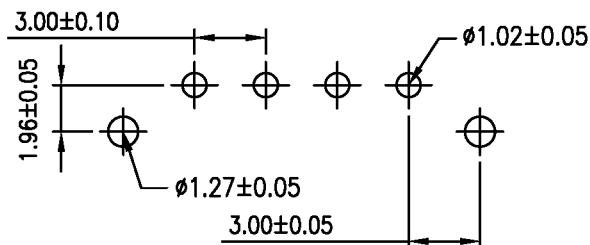
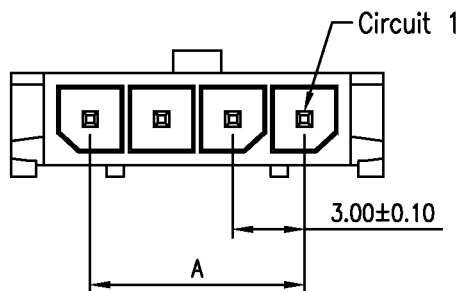
**Ordering information:**

YY-5950-W XX S X  
1 2 3 4

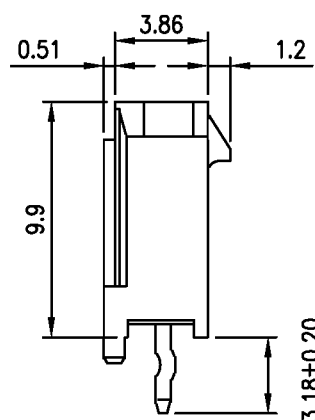
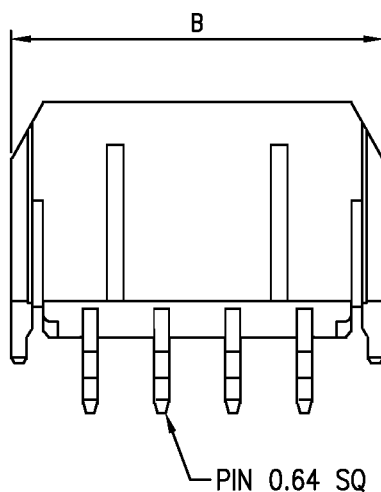
- 1 W=Wafer
- 2 No. of Circuits 02~24
- 3 S: Straight
- 4 Plated
- T= Tin G=Gold

Circuits	Dimension mm	
	A	B
2		6.65
4	3.0	9.65
6	6.0	12.65
8	9.0	15.65
10	12.0	18.65
12	15.0	21.65
14	18.0	24.65
16	21.0	27.65
18	24.0	30.65
20	27.0	33.65
22	30.0	36.65
24	33.0	39.65

DITION	DATE	MODIFY	DRAW BY	J.Chen	VIEW:	3.0(.118")mm Pitch Wafer		Approved by KINSWOOD ELECTRONICS CORP.	
A0	2005.03.11	DRAWING	AUDITING	Jeff		.0	±0.25		PART NO: YY-5950-WXXSX
A1	2006.01.12	CHANGE	APPROVAL	Jessica		.00	±0.15		DWG NO: C3003WS086
A2	2006.10.26	CHANGE			UNIT: mm	.000	±0.05		REV. A2



PCB LAYOUT



**Features:**

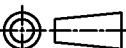
- \* Available in 02 through 12 Circuits
- \* Material: Nylon 9T UL94V-0
- \* Mates with YY-5750-HXXS series housing
- \* 0.64mm(.025") Square Pin
- \* Pin Material: Brass/Tin-Plated

**Ordering information:**

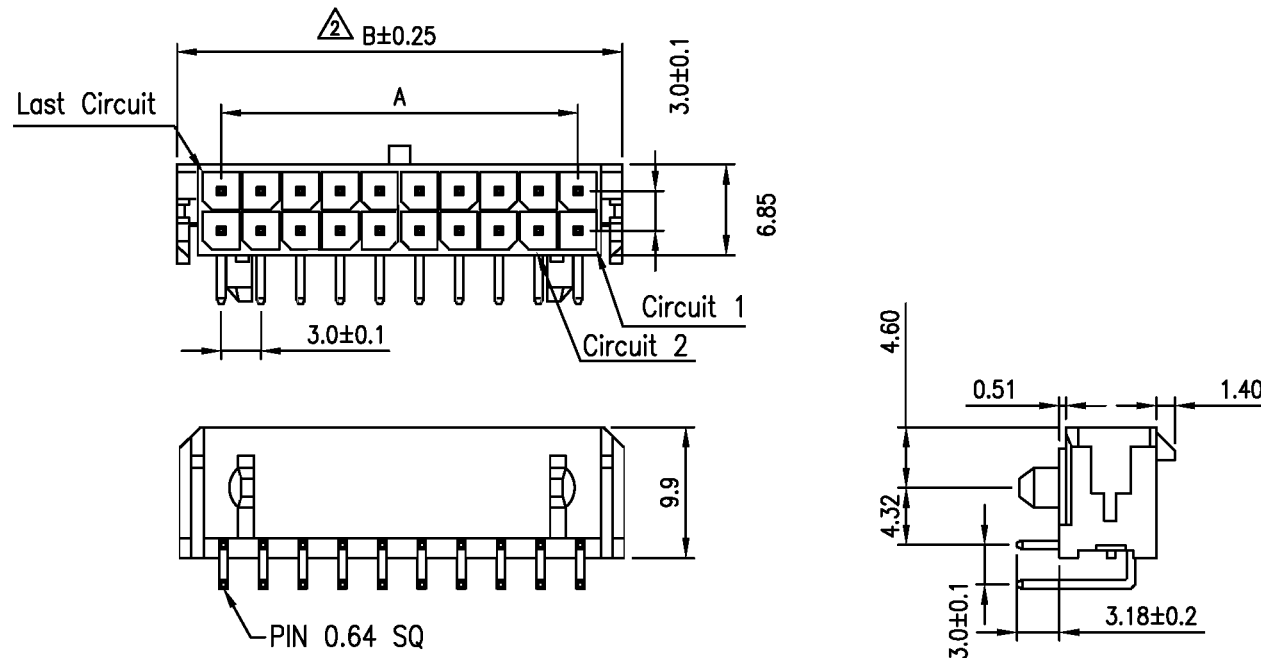
*YY-5950-W XX S X S*  
*1 2 3 4 5*

- 1 W=Wafer
- 2 No. of Circuits 02~12
- 3 S: Straight
- 4 Plated
- T= Tin G=Gold
- 5 S=Single row

Circuits	Dimension mm	
	A	B
2	3.0	9.0
3	6.0	12.0
4	9.0	15.0
5	12.0	18.0
6	15.0	21.0
7	18.0	24.0
8	21.0	27.0
9	24.0	30.0
10	27.0	33.0
11	30.0	36.0
12	33.0	39.0

DITION	DATE	MODIFY	DRAW BY	J.Chen	VIEW:	TOLERANCE	3.0(.118")mm Micro Fit Header	
	A0	2005.04.13	DRAWING	Jeff				.0 ±0.25
A1	2006.09.01	DRAWING				.00 ±0.15	DWG NO: C3003WSS086	
			APPROVAL	Jessica	UNIT: mm	.000 ±0.05		REV. A1

Approved by  
 KINSWOOD ELECTRONICS CORP.



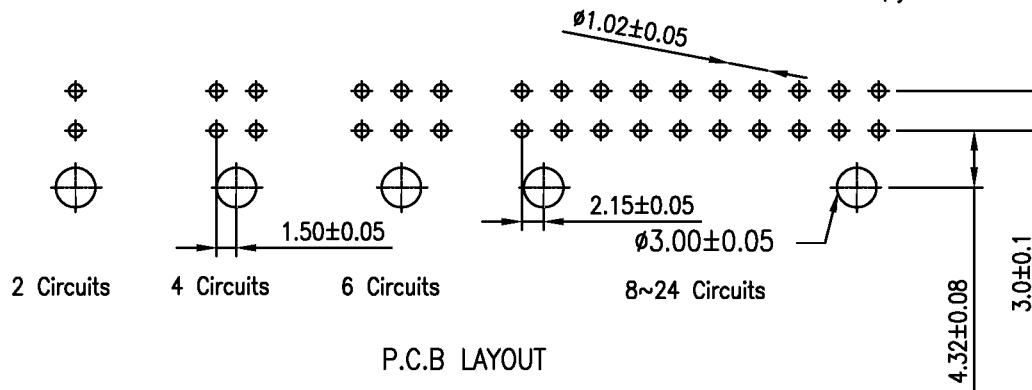
**Features:**

- \* Available in 02 through 24 Circuits
- △ \* Material: Nylon 46 UL94V-0
- \* Mates with YY-5750-H series housing
- \* 0.64mm(.025") Square Pin
- \* Pin Material: Brass/Tin-Plated

**Ordering information:**

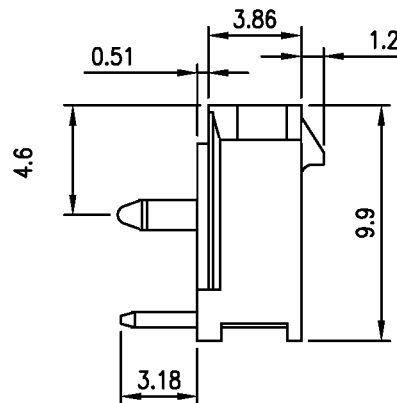
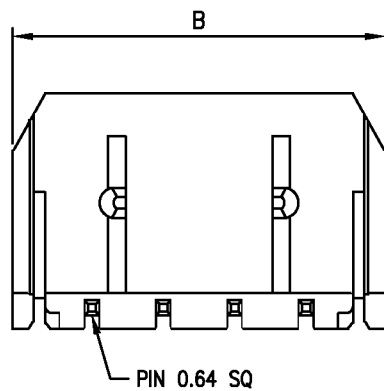
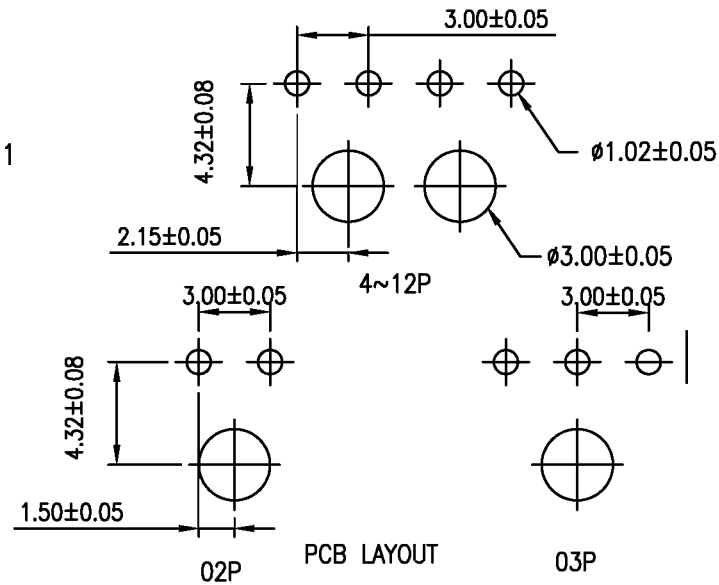
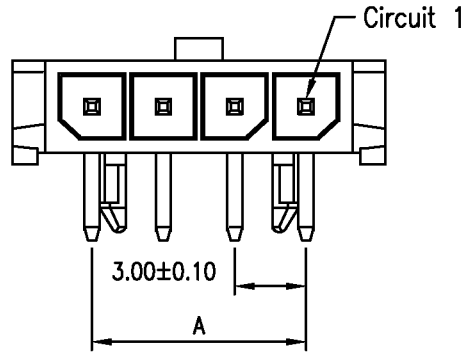
**YY-5950-W XX R X**  
**1 2 3 4**

- 1 W=Wafer
- 2 No. of Circuits 02~24
- 3 R:Right Angle
- 4 Plated
- T=Tin G=Gold



Circuits	Dimension mm	
	A	B
2		6.65
4	3.0	9.65
6	6.0	12.65
8	9.0	15.65
10	12.0	18.65
12	15.0	21.65
14	18.0	24.65
16	21.0	27.65
18	24.0	30.65
20	27.0	33.65
22	30.0	36.65
24	33.0	39.65

DITION	DATE	MODIFY	DRAW BY	J.Chen	VIEW:	3.0(.118")mm Pitch Wafer		Approved by KINSWOOD ELECTRONICS CORP.
	A0	2005.03.11	DRAWING	Jeff		.0 ±0.25	PART NO: YY-5950-WXXRX	
	A1	2006.01.12	CHANGE			.00 ±0.15	DWG NO: C3003WR086	
	A2	2006.10.26	CHANGE	APPROVAL	Jessica	UNIT: mm	.000 ±0.05	



**Features:**

- \* Available in 02 through 12 Circuits
- \* Material: Nylon 9T UL94V-0
- \* Mates with YY-5750-HXXS series housing
- \* 0.64mm(.025") Square Pin
- \* Pin Material: Brass/Tin-Plated

**Ordering information:**

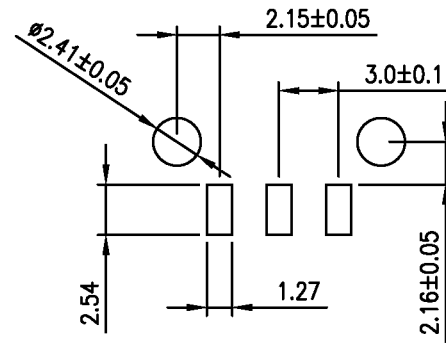
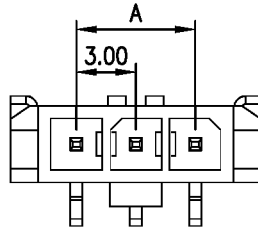
YY-5950-W XX R X S  
 1 2 3 4 5

- 1 W=Wafer 5 S=Single
- 2 No. of Circuits 02~12
- 3 R:Right Angle
- 4 Plated
- T=Tin G=Gold

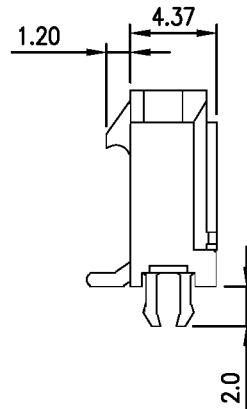
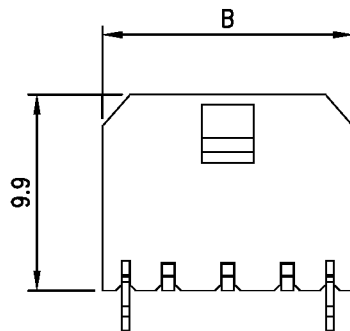
Circuits	Dimension mm	
	A	B
2	3.0	9.0
3	6.0	12.0
4	9.0	15.0
5	12.0	18.0
6	15.0	21.0
7	18.0	24.0
8	21.0	27.0
9	24.0	30.0
10	27.0	33.0
11	30.0	36.0
12	33.0	39.0

DITION A1	DATE 2006.09.15	MODIFY DRAWING	DRAW BY J.Chen	VIEW: 	TOLERANCE 3.0(.118")mm Pitch Wafer		
			AUDITING Jeff		.0 ±0.25	PART NO: YY-5950-WXXRXS	
			APPROVAL Jessica		UNIT: mm	.00 ±0.15	DWG NO: C3003WRS086

Approved by  
 KINSWOOD ELECTRONICS CORP.



PCB LAYOUT



**Features:**

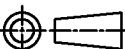
- \* Available in 02 through 12 Circuits
- \* Material: Nylon 46 UL 94V-0
- \* Mates with YY-5750-HXXS series housing
- \* Pin Material: Brass/Tin-Plated

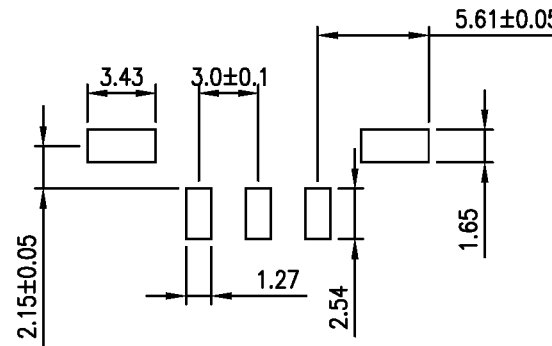
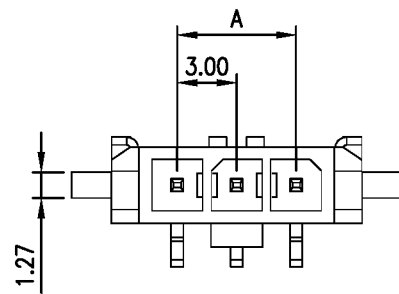
**Ordering information:**

*YY-5950-S* XX S X S N  
 1 2 3 4 5 6

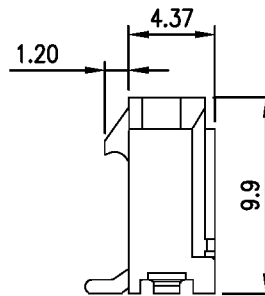
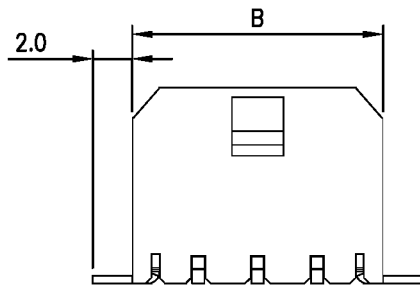
- 1 S=SMT
- 2 No. of Circuits 02~12
- 3 S: Straight
- 4 Plated
- 5 S: Single Row
- 6 Type
- N: W/Solderable Retention clip
- T= Tin G=Gold

Circuits	Dimension mm	
	A	B
2	3.00	9.65
3	6.00	12.65
4	9.00	15.65
5	12.00	18.65
6	15.00	21.65
7	18.00	24.65
8	21.00	27.65
9	24.00	30.65
10	27.00	33.65
11	30.00	36.65
12	33.00	39.65

DITON A1	DATE	MODIFY	DRAW BY	J.Chen	VIEW: 	TOLERANCE		3.0(.118")mm Micro Fit Header		Approved by KINSWOOD ELECTRONICS CORP.
	2006.11.20	DRAWING	AUDITING	Jeff		.0 ±0.25	PART NO: YY-5950-SXXSXS			
				APPROVAL	Jessica	.00 ±0.15	DWG NO: C3003SSSN086		REV. AO	
					UNIT: mm	.000 ±0.05				



PCB LAYOUT



**Features:**

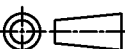
- \* Available in 02 through 12 Circuits
- \* Material: Nylon 46 UL 94V-0
- \* Mates with YY-5750-HXXS series housing
- \* Pin Material: Brass/Tin-Plated

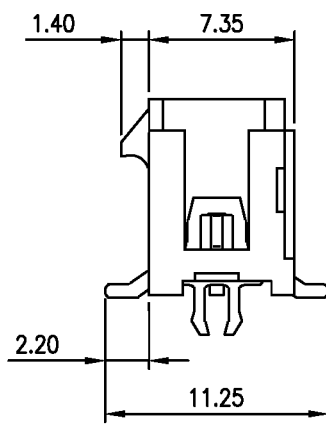
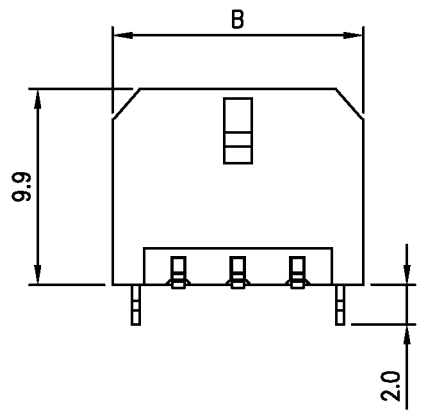
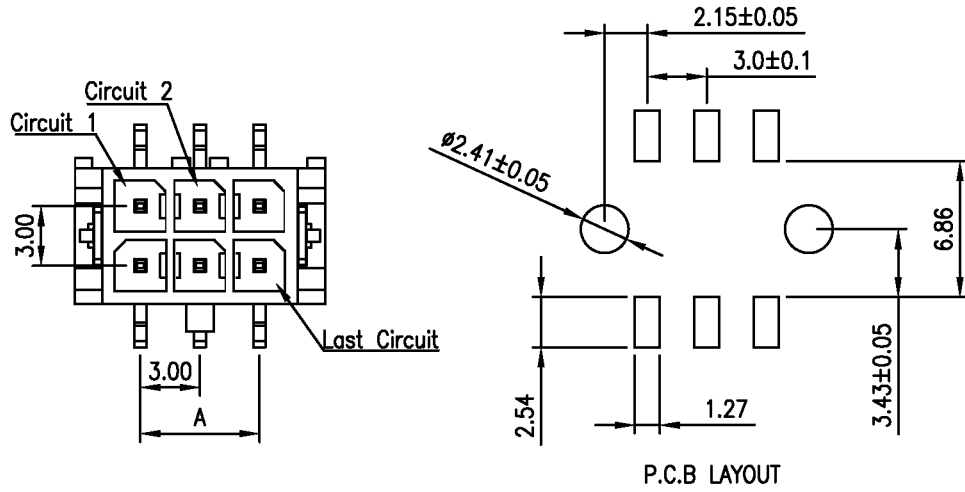
**Ordering information:**

*YY-5950-S XX S X S M*  
*1 2 3 4 5 6*

- 1 S=SMT
- 2 No. of Circuits 02~12
- 3 S: Straight
- 4 Plated
- 5 S: Single Row
- 6 Type
- M: W/Solderable Fitting Clip
- T= Tin G=Gold

Circuits	Dimension mm	
	A	B
2	3.00	9.65
3	6.00	12.65
4	9.00	15.65
5	12.00	18.65
6	15.00	21.65
7	18.00	24.65
8	21.00	27.65
9	24.00	30.65
10	27.00	33.65
11	30.00	36.65
12	33.00	39.65

DITON A1	DATE	MODIFY	DRAW BY	J.Chen	VIEW: 	TOLERANCE		3.0(.118")mm Micro Fit Header		Approved by KINSWOOD ELECTRONICS CORP.
	2006.11.20	DRAWING	AUDITING	Jeff		.0	±0.25	PART NO: YY-5950-SXXSXS M		
				APPROVAL	Jessica	UNIT: mm	.00	±0.15	DWG NO: C3003SSSM086	



**Features:**

- \* Available in 02 through 24 Circuits
- \* Material: LCP
- \* Mates with YY-5750-HXX series housing
- \* 0.64mm(.025") Square Pin
- \* Pin Material: Brass/Tin-Plated

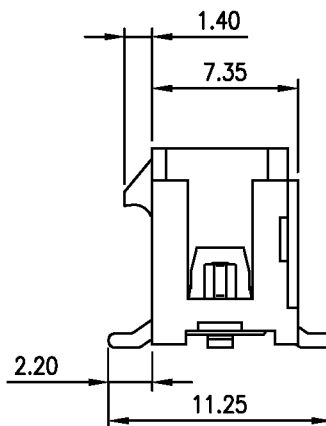
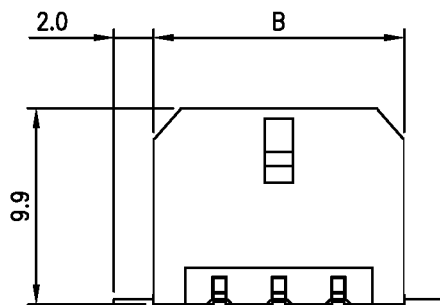
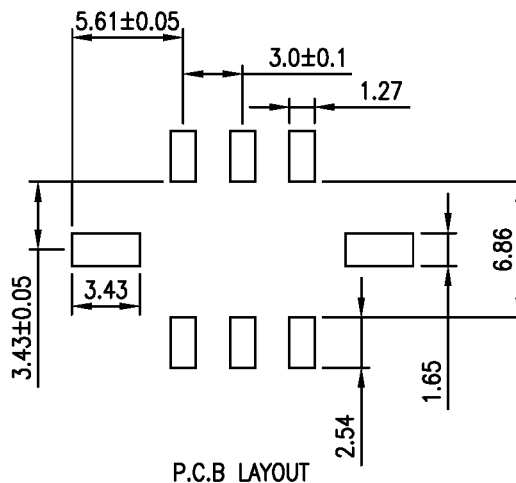
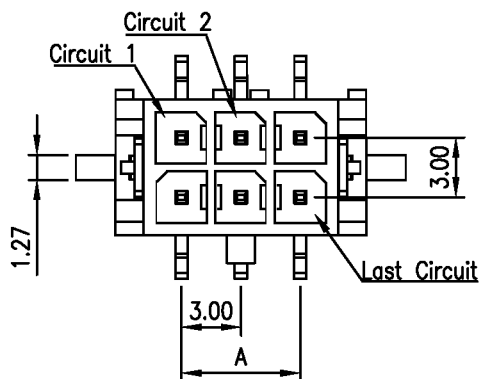
**Ordering information:**

YY-5950-S XX S X N  
 1 2 3 4 5

- 1 S=SMT
- 2 No. of Circuits 02~24
- 3 S: Straight
- 4 Plated
- 5 Type
- N: W/Solderable Retention Clip
- T=Tin G=Gold

Circuits	Dimension mm	
	A	B
2		6.65
4	3.00	9.65
6	6.00	12.65
8	9.00	15.65
10	12.00	18.65
12	15.00	21.65
14	18.00	24.65
16	21.00	27.65
18	24.00	30.65
20	27.00	33.65
22	30.00	36.65
24	33.00	39.65

DITION A0	DATE 2006.06.21	MODIFY DRAWING	DRAW BY J.Chen	VIEW: 	TOLERANCE 3.0(.118")mm Micro Fit Header		Approved by KINSWOOD ELECTRONICS CORP.	
			AUDITING Jeff		.0 ±0.25	PART NO: YY-5950-SXXSXN		
			APPROVAL Jessica		UNIT: mm .00 ±0.15 .000 ±0.05	DWG NO: C3003SSN086		REV. A0



**Features:**

- \* Available in 02 through 24 Circuits
- \* Material: LCP
- \* Mates with YY-5750-HXX series housing
- \* 0.64mm(.025") Square Pin
- \* Pin Material: Brass/Tin-Plated

**Ordering information:**

**YY-5950-S XX S X M**  
**1 2 3 4 5**

- 1 S=SMT
- 2 No. of Circuits 02~24
- 3 S: Straight
- 4 Plated
- 5 Type
- M: W/Solderable Fitting Nail
- T= Tin G=Gold

Circuits	Dimension mm	
	A	B
2		6.65
4	3.00	9.65
6	6.00	12.65
8	9.00	15.65
10	12.00	18.65
12	15.00	21.65
14	18.00	24.65
16	21.00	27.65
18	24.00	30.65
20	27.00	33.65
22	30.00	36.65
24	33.00	39.65

DITION	DATE	MODIFY	DRAW BY	J.Chen	VIEW:	3.0(.118")mm Micro Fit Header	
A0	2006.06.21	DRAWING	AUDITING	Jeff		.0	±0.25
A1	2006.09.01	CHANGE	APPROVAL	Jessica		.00	±0.15
					UNIT: mm	.000	±0.05

Approved by  
 KINSWOOD ELECTRONICS CORP.

PART NO: YY-5950-SXXSX M

DWG NO: C3003SSM086

REV. A1

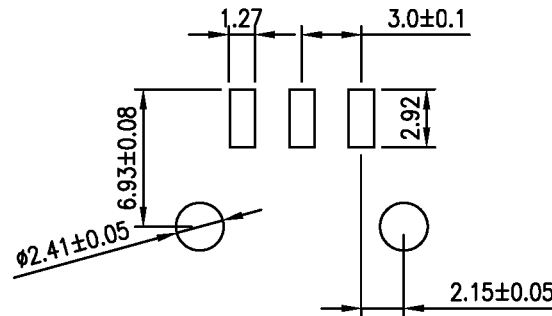
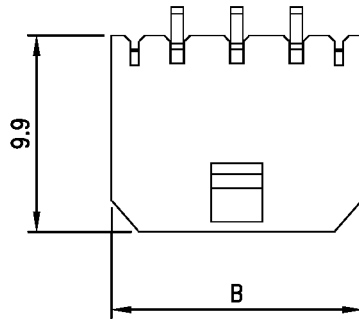
**Features:**

- \* Available in 02 through 12 Circuits
- \* Material: Nylon 46 UL 94V-0
- \* Mates with YY-5750-HXXS series housing
- \* Pin Material: Brass/Tin-Plated

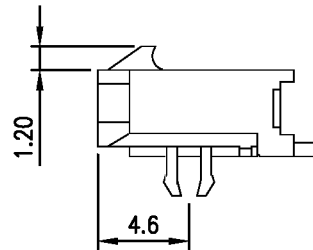
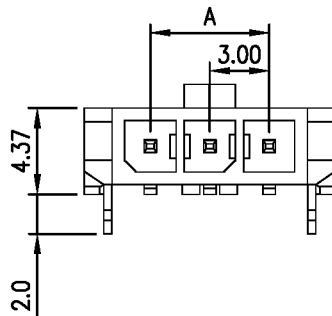
**Ordering information:**

YY-5950-S XX R X S N  
 1 2 3 4 5 6

- 1 S=SMT
- 2 No. of Circuits 02~24
- 3 R:Right Angle
- 4 Plated
- 5 S:Single Row
- 6 Type
- N: W/Solderable Retention clip
- T=Tin G=Gold

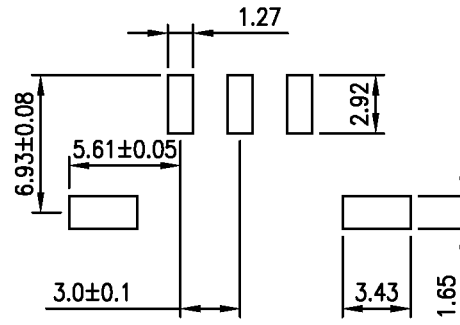
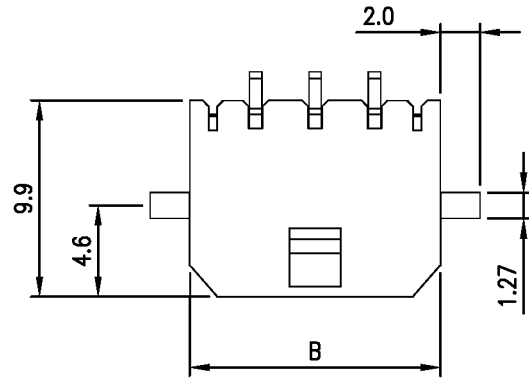


PCB LAYOUT

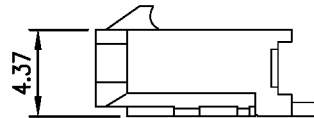
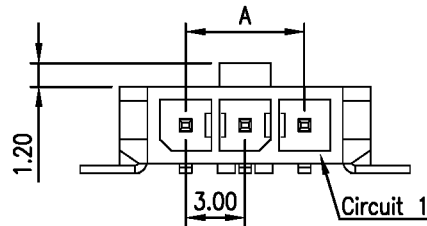


Circuits	Dimension mm	
	A	B
2	3.00	9.65
3	6.00	12.65
4	9.00	15.65
5	12.00	18.65
6	15.00	21.65
7	18.00	24.65
8	21.00	27.65
9	24.00	30.65
10	27.00	33.65
11	30.00	36.65
12	33.00	39.65

DITION A1	DATE 2006.11.20	MODIFY DRAWING	DRAW BY J.Chen	VIEW: 	TOLERANCE		3.0(.118")mm Micro Fit Header	Approved by KINSWOOD ELECTRONICS CORP.
			AUDITING Jeff		.0 ±0.25	PART NO: YY-5950-SXXRXSN		
			APPROVAL Jessica		UNIT: mm	.00 ±0.15	DWG NO: C3003SRSN086	



PCB LAYOUT



**Features:**

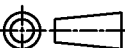
- \* Available in 02 through 12 Circuits
- \* Material: Nylon 46 UL 94V-0
- \* Mates with YY-5750-HXXS series housing
- \* Pin Material: Brass/Tin-Plated

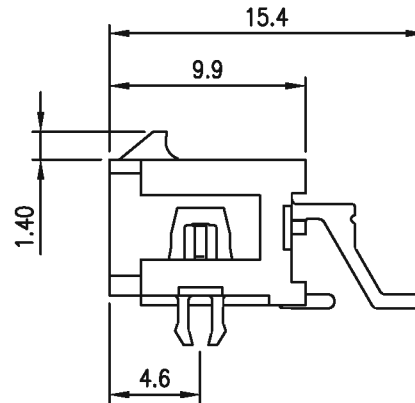
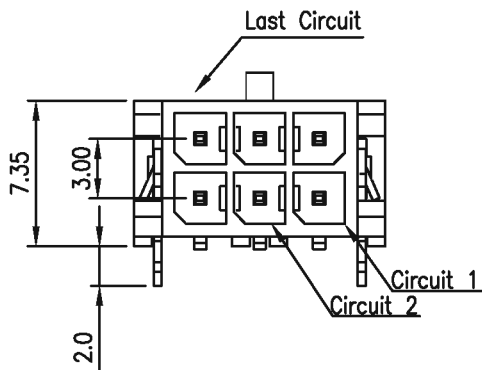
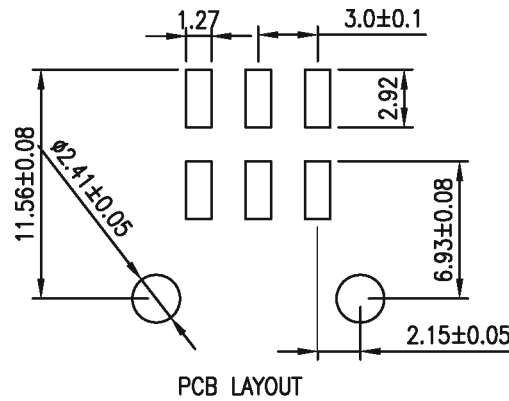
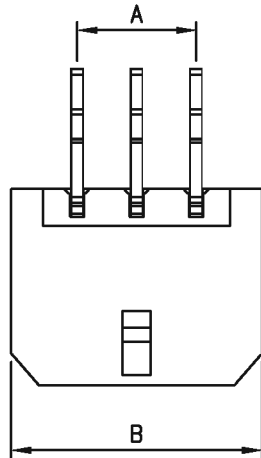
**Ordering information:**

**YY-5950-S XX R X S M**  
**1 2 3 4 5 6**

- 1 S=SMT
- 2 No. of Circuits 02~12
- 3 R:Right Angle
- 4 Plated
- 5 S:Single Row
- 6 Type
- M: W/Solderable Fitting Clip
- T=Tin G=Gold

Circuits	Dimension mm	
	A	B
2	3.00	9.65
3	6.00	12.65
4	9.00	15.65
5	12.00	18.65
6	15.00	21.65
7	18.00	24.65
8	21.00	27.65
9	24.00	30.65
10	27.00	33.65
11	30.00	36.65
12	33.00	39.65

DITION A1	DATE 2006.11.20	MODIFY DRAWING	DRAW BY J.Chen	VIEW: 	TOLERANCE		3.0(.118")mm Micro Fit Header		APPROVAL Jessica	UNIT: mm	DWG NO: C3003SRSM086	REV. AO	Approved by KINSWOOD ELECTRONICS CORP.
			AUDITING Jeff		.0 ±0.25	PART NO: YY-5950-SXXRXSM							
					.00 ±0.15								
					.000 ±0.05								



**Features:**

- \* Available in 02 through 24 Circuits
- \* Material: LCP
- \* Mates with YY-5750-HXX series housing
- \* 0.64mm(.025") Square Pin
- \* Pin Material: Brass/Tin-Plated

**Ordering information:**

YY-5950-S XX R X N  
 1 2 3 4 5

- 1 S=SMT
- 2 No. of Circuits 02~24
- 3 R:Right Angle
- 4 Plated
- 5 Type
- N: W/Solderable Retention Clip
- T=Tin G=Gold

Circuits	Dimension mm	
	A	B
2		6.65
4	3.00	9.65
6	6.00	12.65
8	9.00	15.65
10	12.00	18.65
12	15.00	21.65
14	18.00	24.65
16	21.00	27.65
18	24.00	30.65
20	27.00	33.65
22	30.00	36.65
24	33.00	39.65

DITION A1	DATE 2006.09.15	MODIFY DRAWING	DRAW BY	J.Chen	VIEW: 	TOLERANCE		3.0(.118")mm Micro Fit Header		Approved by KINSWOOD ELECTRONICS CORP.
			AUDITING	Jeff		.0	±0.25	PART NO: YY-5950-SXXRXN		
			APPROVAL	Jessica		.00	±0.15	DWG NO: C3003SRN086		
					UNIT: mm	.000	±0.05		REV. AO	

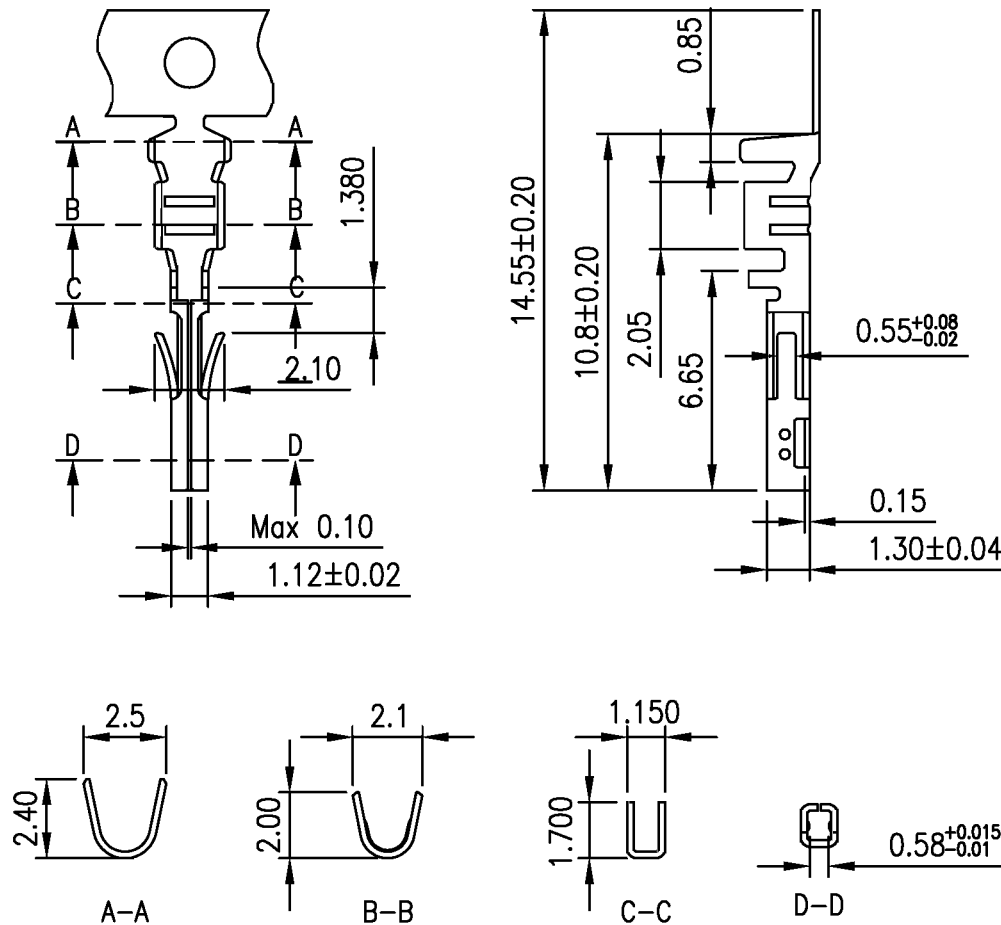
*Features:*

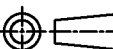
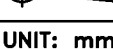
- \* Used in YY-5750-HXX Series Housing
- \* Accepts AWG #20~24 Wire Range
- \* Insulation O.D.= 1.75 mm(max)
- \* Material : Brass or Phosphor Bronze
- \* Finish : Gold-Plated or Tin-Plated
- \* Qty/Reel: 10,000PCS
- \* Thickness: 0.2mm

*Ordering information:*

YY-5750-TXXXL  
1 2 3 4 5

- 1 T=Terminal
- 2 Plated:  
T=Tin G=Gold
- 3 Plated Method:  
A: Plated before stamping  
B: Stamping before plated
- 4 Material:  
□BRASS  
P:Phosphor bronze
- 5 L:20-24AWG



EDITION	DATE	MODIFY	DRAW BY	WangJM	VIEW:	TOLERANCE		3.0mm (.118") Pitch Crimp Term		Approved by KINSWOOD ELECTRONICS CORP.
AO	2006.04.25	DRAWING	AUDITING	GUAN		.0	±0.15	PART NO: YY-5750-TXXXL		
			APPROVAL	SUNNY		.00	±0.10	DWG NO: C3001TB47		REV. AO
					UNIT: mm	.000	±0.05			