

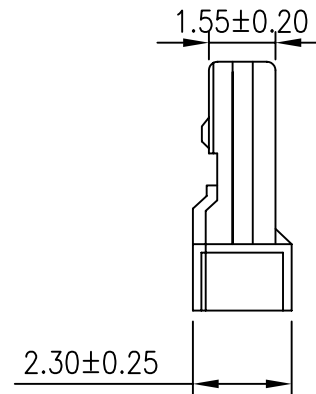
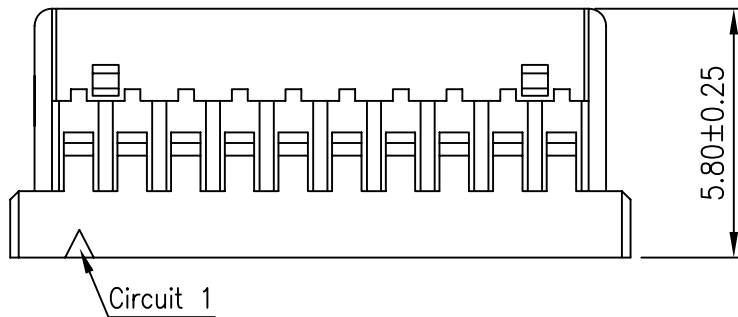
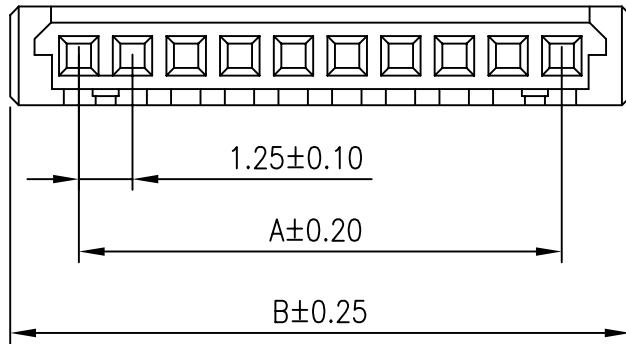
*Features:*

- \* Available in 2 through 30 Circuits
- \* Material: Nylon66 UL94V-0
- \* Accepts YY-0950-T Crimp Terminal
- \* Mates with YY-0950-SXXS or YY-0950-SXXR Series Wafer

*Ordering information:*

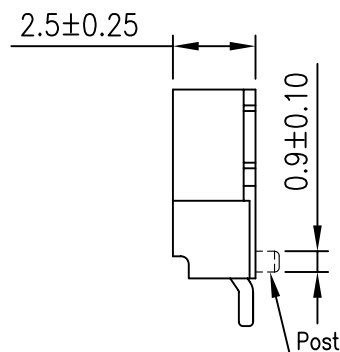
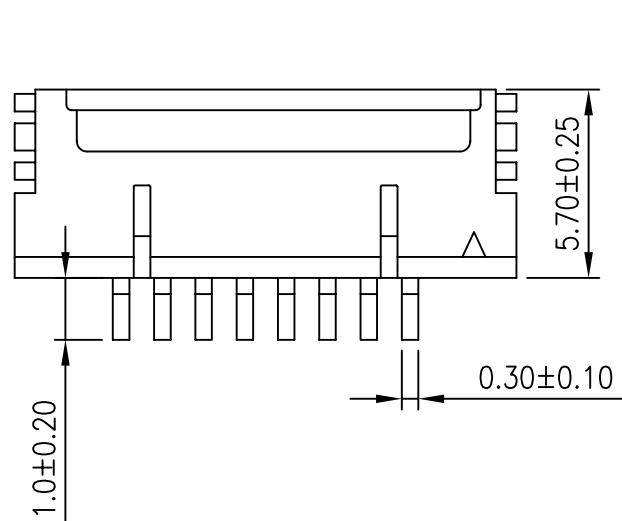
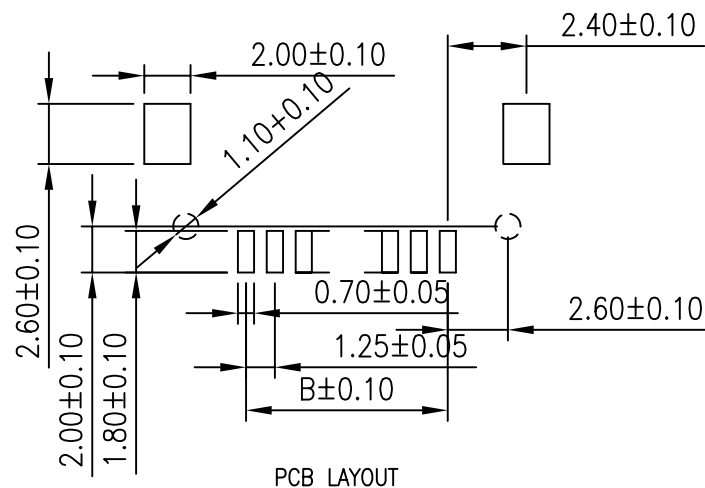
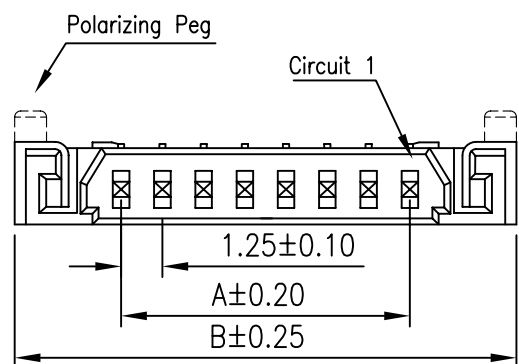
*YY-0950-H XX*  
*1 2*

1 H=Housing  
2 No. of Circuits 02~30



Circuits	Dimension mm	
	A	B
2	1.25	4.45
3	2.50	5.70
4	3.75	6.95
5	5.00	8.20
6	6.25	9.45
7	7.50	10.70
8	8.75	11.95
9	10.00	13.20
10	11.25	14.45
15	17.50	20.70
20	23.75	26.95
25	30.00	33.20
30	36.25	39.45

EDITION	DATE	MODIFY	DRAW BY	J.Chen	VIEW:	TOLERANCE	1.25mm (.049") Pitch Housing	Approved by <b>KINSWOOD ELECTRONICS CORP.</b>
A0	2002.05.24	DRAWING	AUDITING	Jeff		.0	PART NO: YY-0950-HXX	
A1	2006.07.20	CHANGE	APPROVAL	Jessica		.00	DWG NO: A1254H152	
					UNIT: mm	.000		



### Features:

- \* Available in 2 through 30 Circuits
- \* Anulator: Nylon 6T UL94-V0
- \* Accepts YY-0950-H Series Housing
- \* 0.3mm(.012") Flat Pin
- \* Pin Material: Brass/Tin-plated
- \* Solder Tabs: Brass/Tin-plated

### Ordering information:

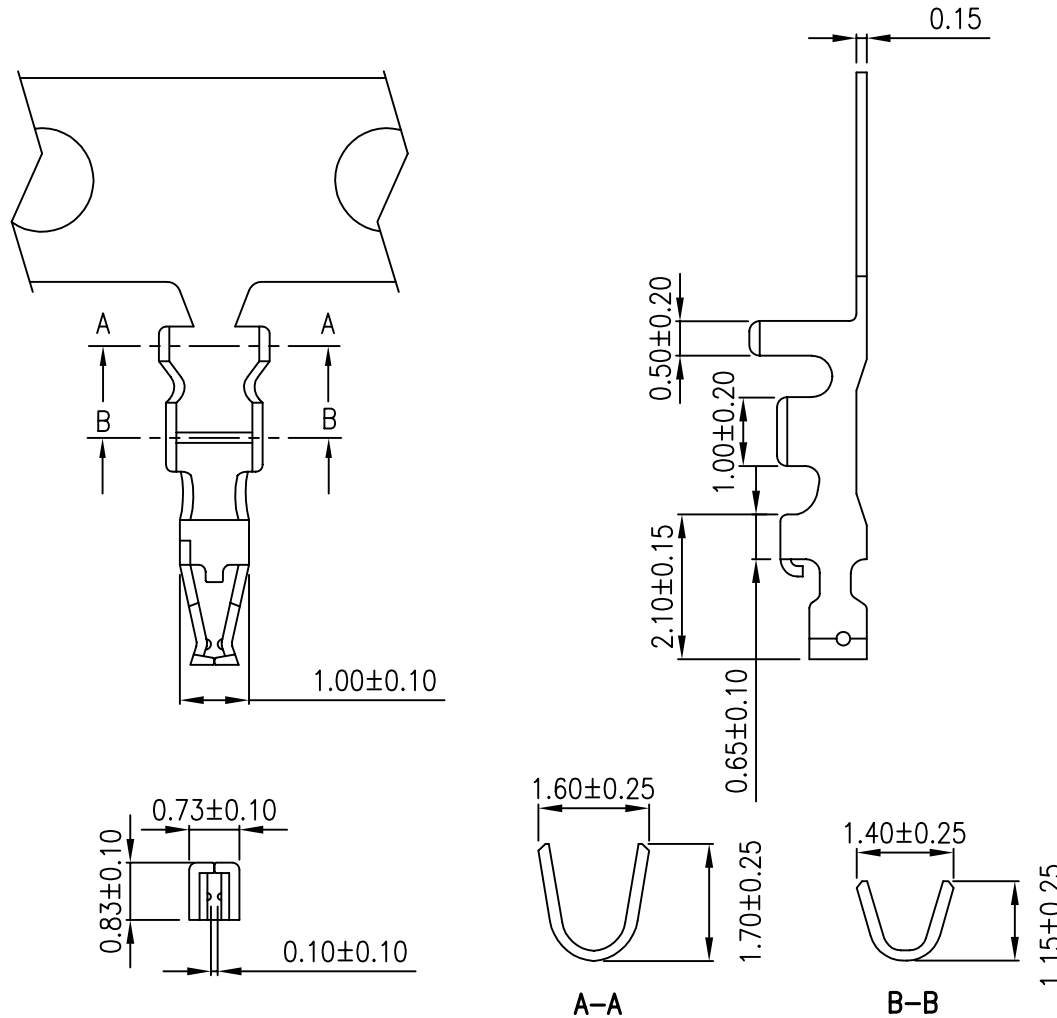
YY-0950- S XX R XX X  
1 2 3 4 5 6

- 1 S=SMT
- 2 No. of Circuits 02~15
- 3 R=Right Angle
- 4 Plated: T=Tin G=Gold
- 5 □ =W/O Polarizing Peg
- 6 Packing=
- A:Tape & Reel
- B:Tube Package
- C:Box Package
- P=W/Polarizing Peg

Circuits	Dimension mm		
	A	B	C
2	1.25	4.15	6.25
3	2.50	5.40	7.50
4	3.75	6.65	8.75
5	5.00	7.90	10.00
6	6.25	9.15	11.25
7	7.50	10.40	12.50
8	8.75	11.65	13.75
9	10.00	12.90	15.00
10	11.25	14.15	16.25
15	12.50	15.40	17.50
20	13.75	16.65	18.75
25	15.00	17.90	20.00
30	16.25	19.15	21.25

EDITION	DATE	MODIFY	DRAW BY	J.Chen	VIEW:	TOLERANCE	1.25mm (.049") Pitch SMT Wafer
A0	2003.05.29	DRAWING	AUDITING	Jeff		.0	PART NO: Y-0950-SXXRXXX
A1	2006.07.20	CHANGE	APPROVAL	Jessica	UNIT: mm	.00	DWG NO: A1254SR152
						.000	REV. A1

Approved by  
 KINSWOOD ELECTRONICS CORP.



*Features:*

- \* Used in YY-0950-H Series Housing
- \* Accepts AWG 28~32 Wire Range
- \* Insulation O.D.= 1.00 mm(max)
- \* Material : Phosphor Bronze
- \* Finish : Tin-Plated
- \* Qty/Reel : 10,000 PCS
- \* Thickness: 0.15

*Ordering information:*

YY-0950-T X X X  
1 2 3 4

- 1 T=Terminal
- 2 Plated:  
 T=Tin G=Gold
- 3 Plated Method:  
 A=Plated before stamping  
 B=Stamping before plated
- 4 Material:  
 □=BRASS  
 P=Phosphor bronze

EDITION	DATE	MODIFY	DRAW BY	J.Chen	VIEW:	TOLERANCE	1.25mm (.049") Pitch Crimp Terminal	
A0	2000.11.01	DRAWING	AUDITING	Jeff		.0 ±0.2	PART NO: YY-0950-TXXX	
A1	2006.07.20	CHANGE	APPROVAL	Jessica		.00 ±0.13	DWG NO: A1253T152	
					UNIT: mm	.000 ±0.08		REV. A3

Approved by  
 KINSWOOD ELECTRONICS CORP.